



A R K T U R A

SoftFold[®]



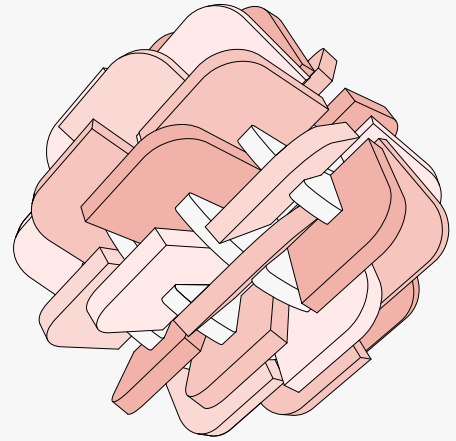
Ceiling **Baffles**



Fueling Possibilities[®]

Our Key Features

The complex interaction of variables lends power to design. Using our Soft Sound® acoustical material (100% PET plastic with up to 50% recycled content) and dimensional patterning, SoftFold® achieves acoustical dampening while creating a subtle play between light and shadow. It offers an award winning combination of design and functionality.



Expansive Soft Sound® Library

Choose from a large library of Soft Sound® colors and wood textures. Mix and match colors to accent fins and complement the color scheme of your space.



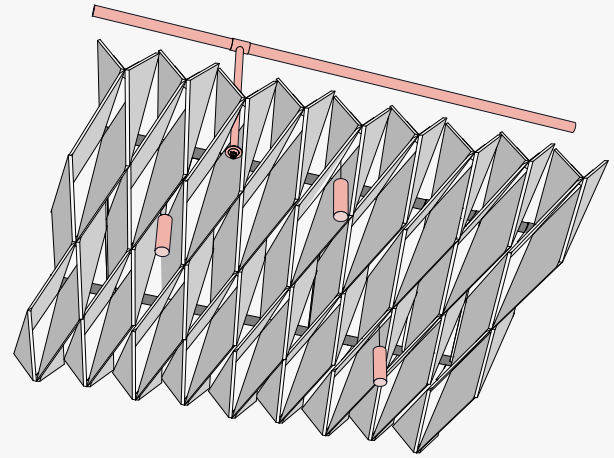
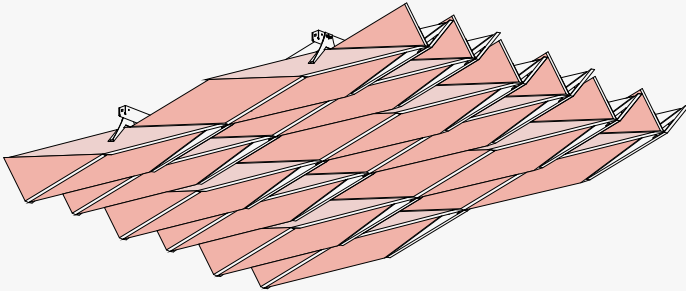
Reduce Noise & Enhance Acoustics

SoftFold®'s Soft Sound® material reduces the impact of noise from everyday annoyances like ringing, typing, and chatter resulting in a more pleasant and productive environment. SoftFold®'s material works in concert with the faceted design to help reduce and control reverberations and diffuse sound leaving a lasting impression at scales ranging from assembly halls to conference rooms.



Scan the QR or Click to
Learn More about SoftFold®

Our Key Features

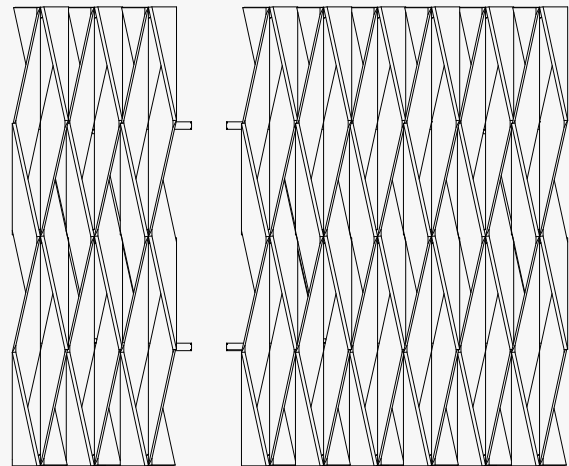
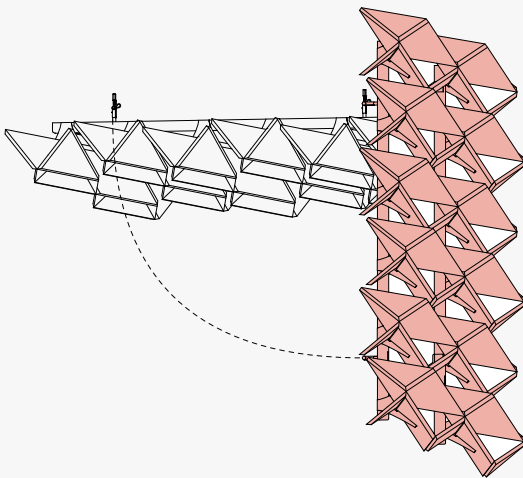


Dynamic Faceted Aesthetics

Bring striking texture to your space with SoftFold®'s geometric, faceted design, and add complexity to your ceilings with the origami of sound attenuation.

Thoughtful Integration

SoftFold®'s design allows for a straightforward integration of systems such as lights, HVAC, rigging points, plumbing, AV equipment, and life safety systems, above or below the modules.



Easy Accessibility

SoftFold® modules offer easy accessibility across ceilings through a hinged attachment, allowing SoftFold® to swing down for access to building systems.

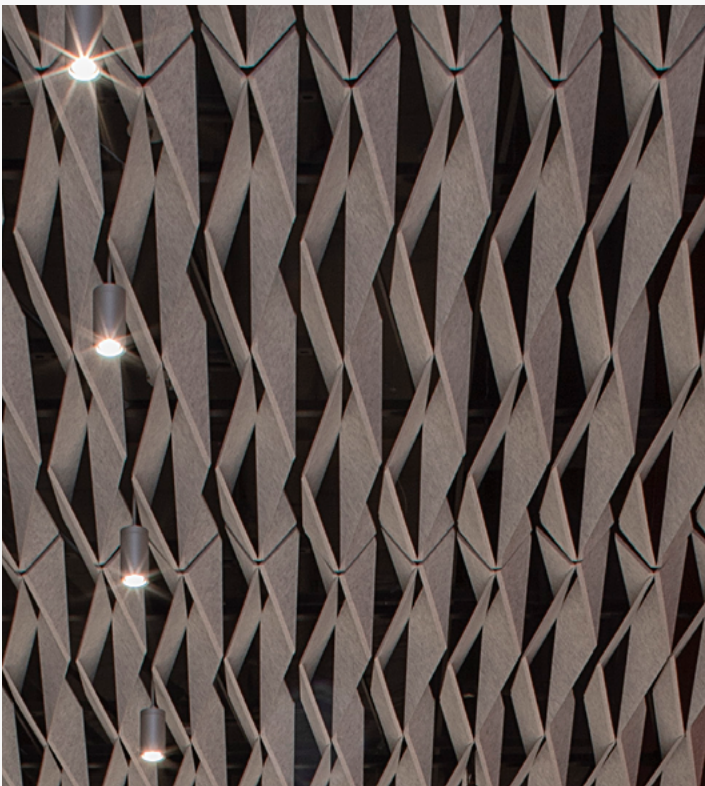
Preconfigured Solutions

SoftFold® is available in full and half-sized modules that seamlessly connect for further flexibility in your space.

Inspiration



Faceted Acoustic Ceiling Feature



Easily Integrate Lighting and Conceal Building Systems



Facets Create Dynamic Lighting Effects

Overview

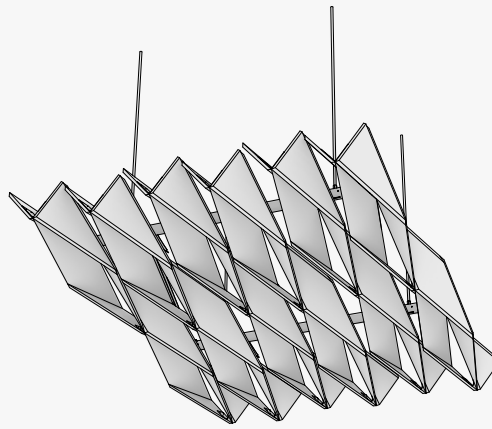
- 1 Understanding the System
- 3 Available Finishes
- 2 Optional Accessories
- 4 Product Specifications

1 Understanding the System

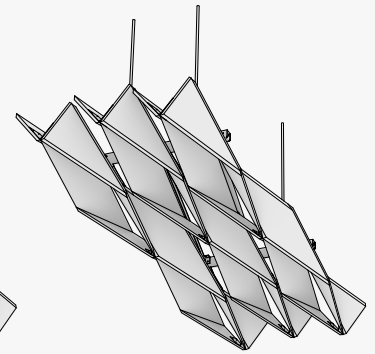
Standard Module

Modules are made from Arktura's lightweight & durable Soft Sound® acoustical material with stainless steel brackets.

Full Module

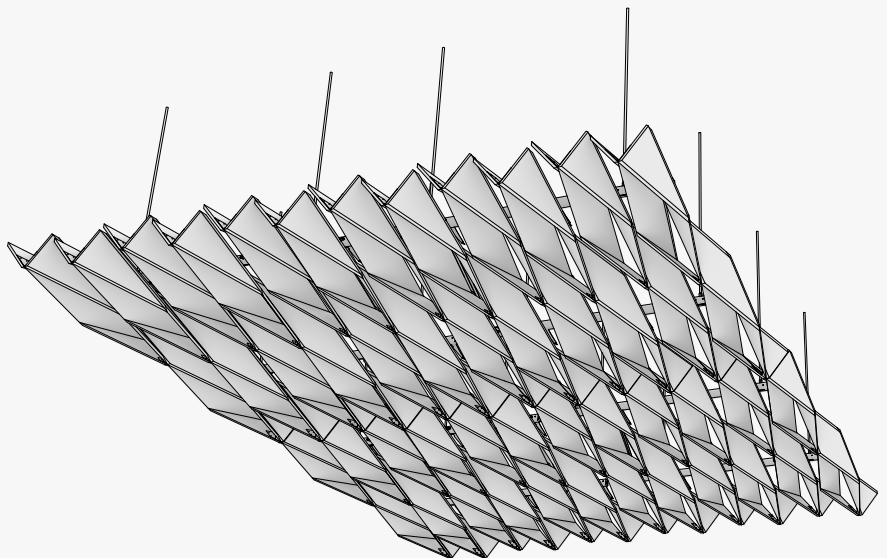


Half Module



Multiple Modules

Modules can be continuously tiled in multiple directions in plan, using the provided connecting brackets.



i 2x2 Full Modules shown.

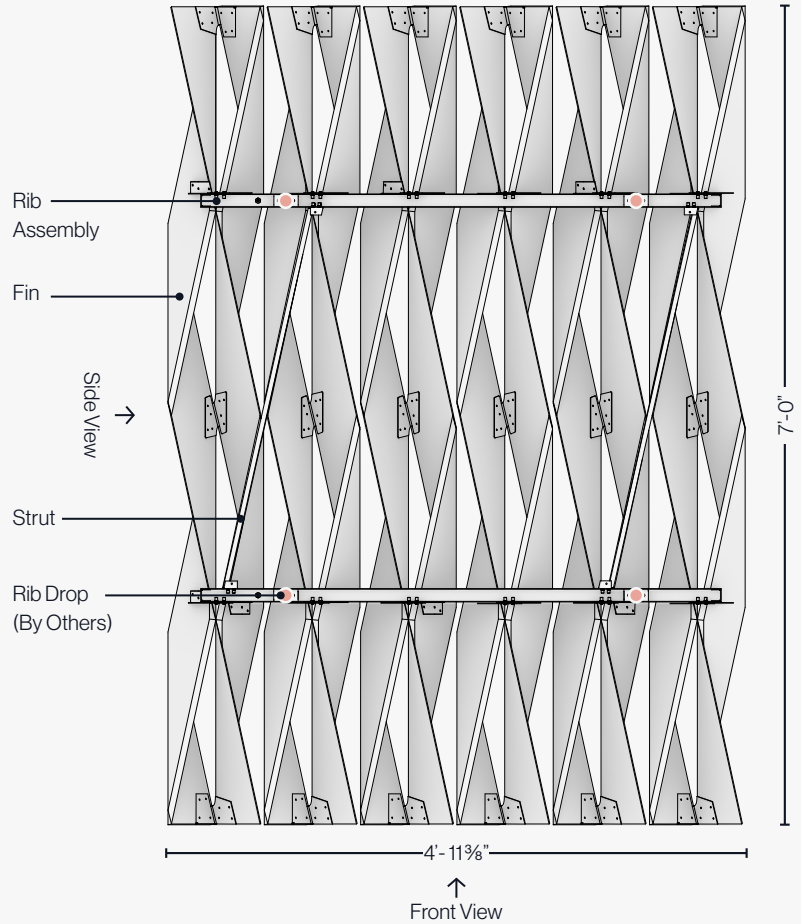
1 Understanding the System

Understanding the Module - Full Module

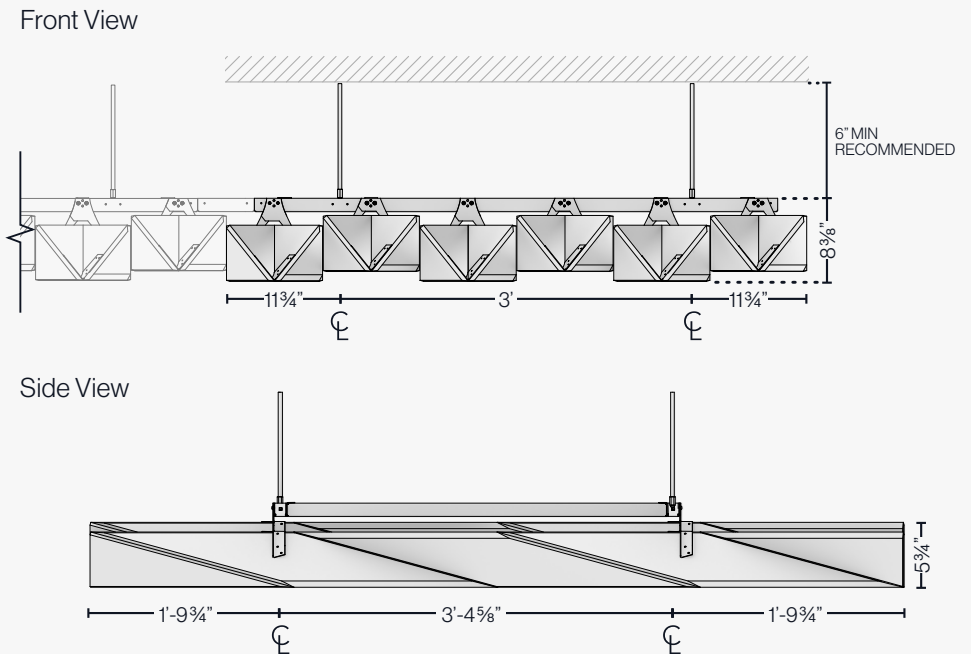
Plan

SoftFold® lets you design linear layouts in plan. Create flowing designs that create your desired look while adapting to and concealing building elements such as sensors, sprinklers, and lighting.

24% Open



Elevations



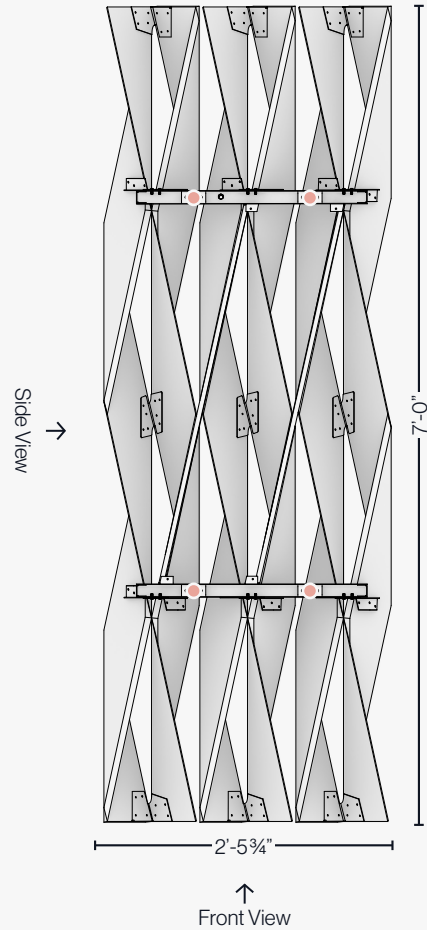
1 Understanding the System

Understanding the Module - Half Module

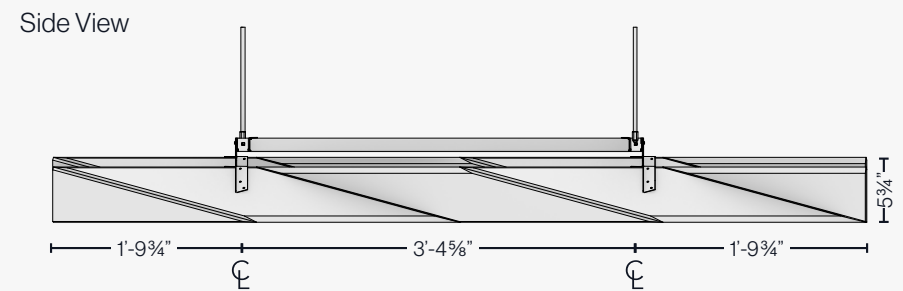
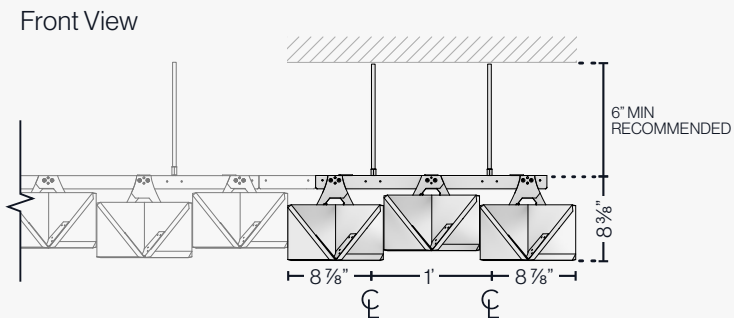
Plan

SoftFold® lets you design linear layouts in plan. Create flowing designs that create your desired look while adapting to and concealing building elements such as sensors, sprinklers, and lighting.

22% Open



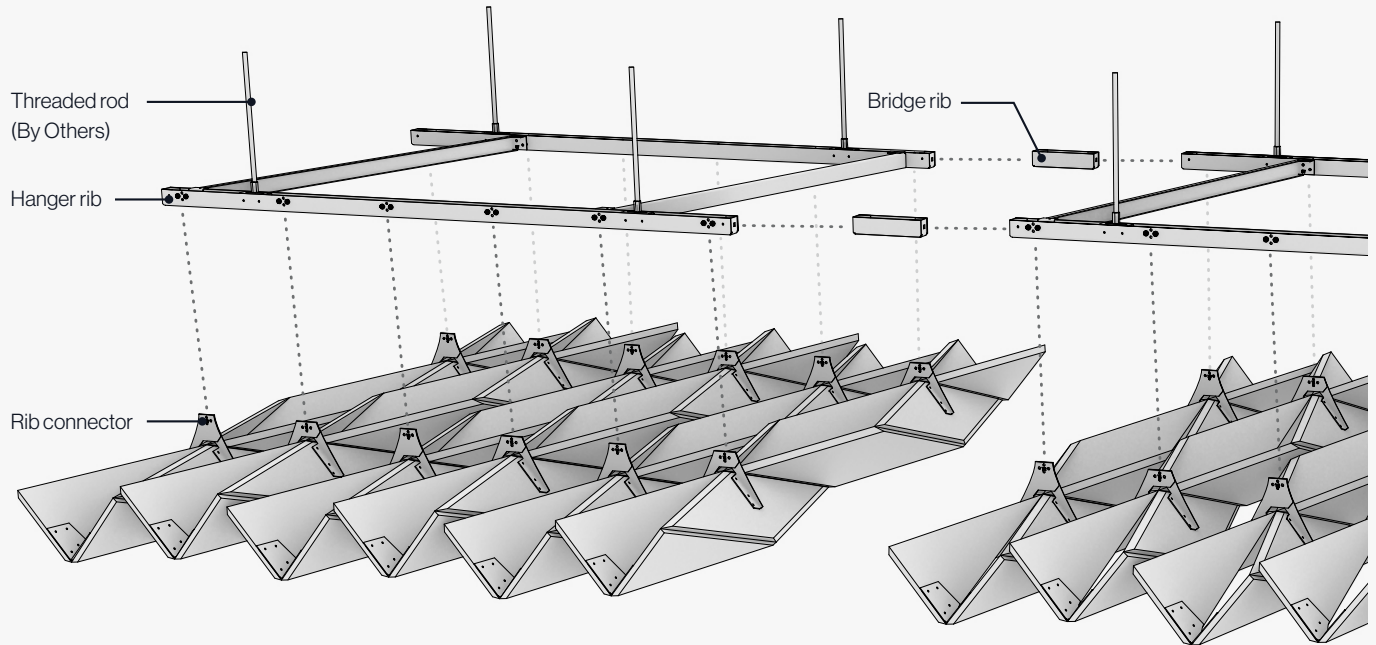
Elevations



1 Understanding the System

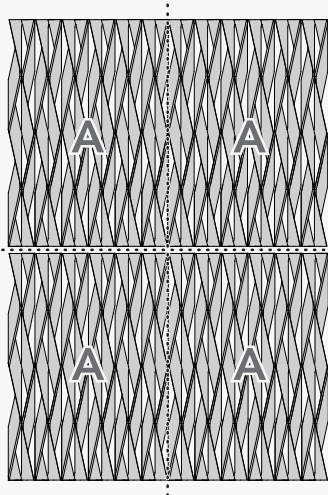
Attachment Details

SoftFold® is designed for easy of install and assembly. Use available joining bridge ribs to achieve a seamless module to module connection with ease.

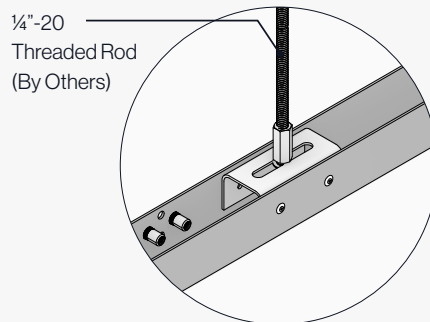


i SoftFold® Full module shown.

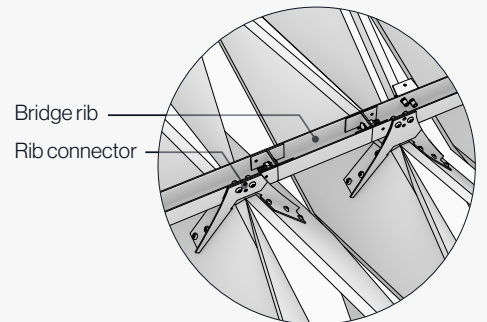
Multiple Modules Grid



Standard Attachment Method



Fin to Rib Connection

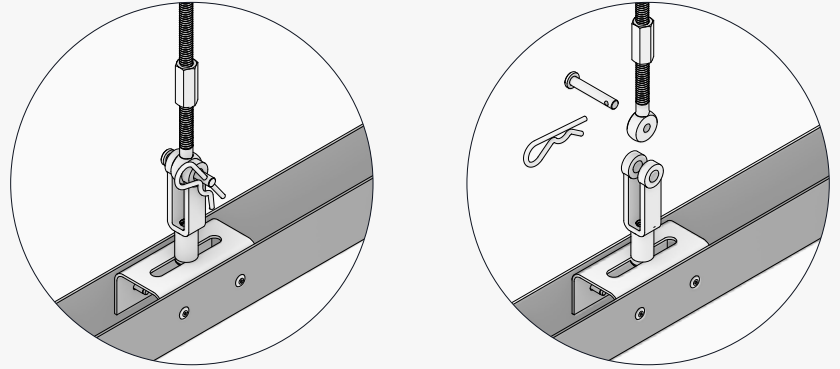


2 Optional Accessories

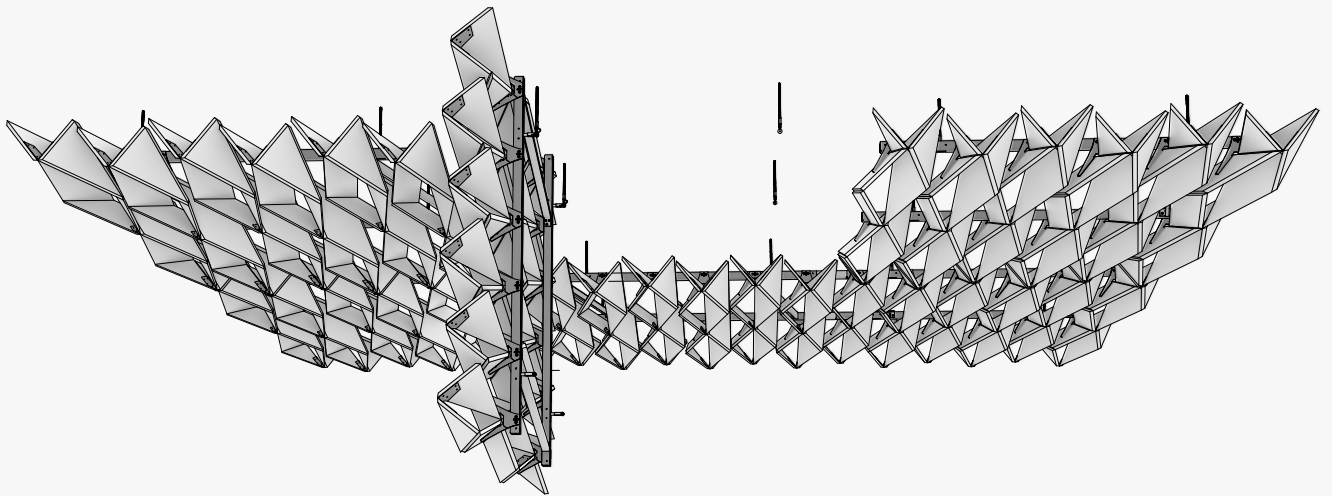
Swing-Down Hardware

SoftFold® is designed for easy install and assembly. For easy of access to building integrations specify a “Swing-Down Module Bracket” as accessory to allow for required access.

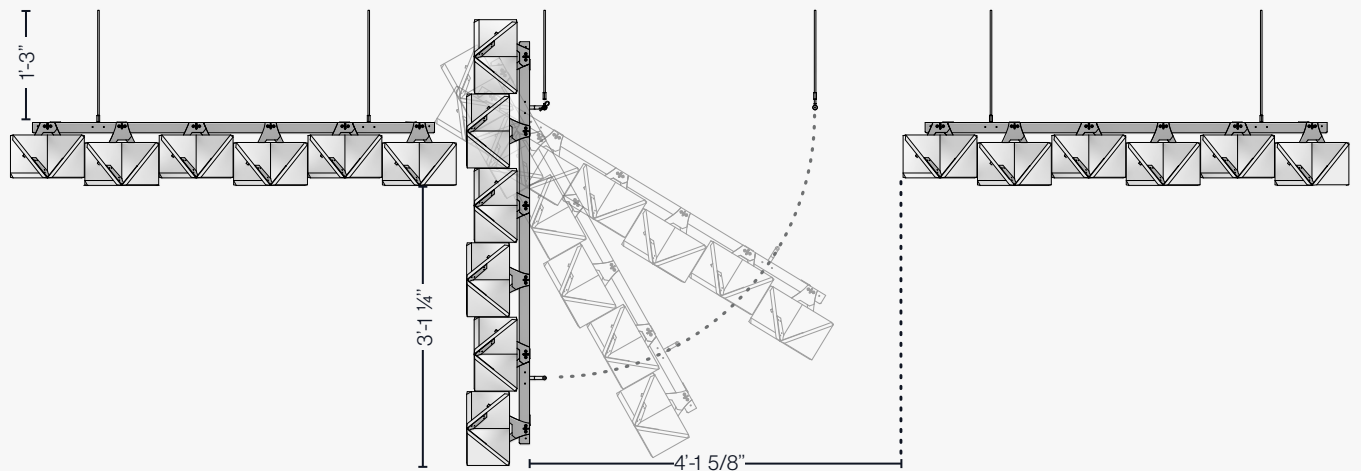
i Swing-Down Hardware is intended for use with FULL-MODULES only. Use of Hardware requires clearance from deck of 15” to afford free swing of module.



Axonometric



Elevation



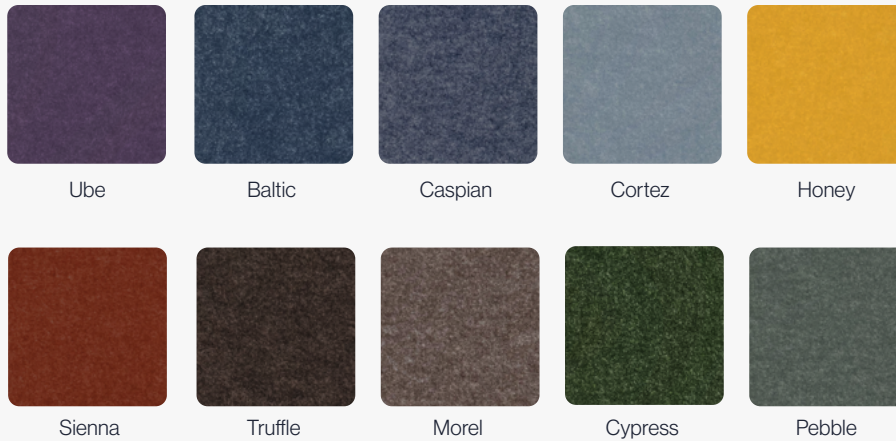
3 Available Finishes

Module Color - Soft Sound®

Soft Sound®
Vivids
Standard



Soft Sound®
Elementals
Standard



ⓘ Due to the nature of non-woven materials, light may pass through Soft Sound® in any thickness or color. A translucent appearance is most apparent in lighter colors and thin material when a light source is present behind the material. Arktura makes no claims or warranties about the material performing as opaque in any circumstance. To verify a products performance for light transmittance, a mockup of the specific intended use is recommended.

3 Available Finishes

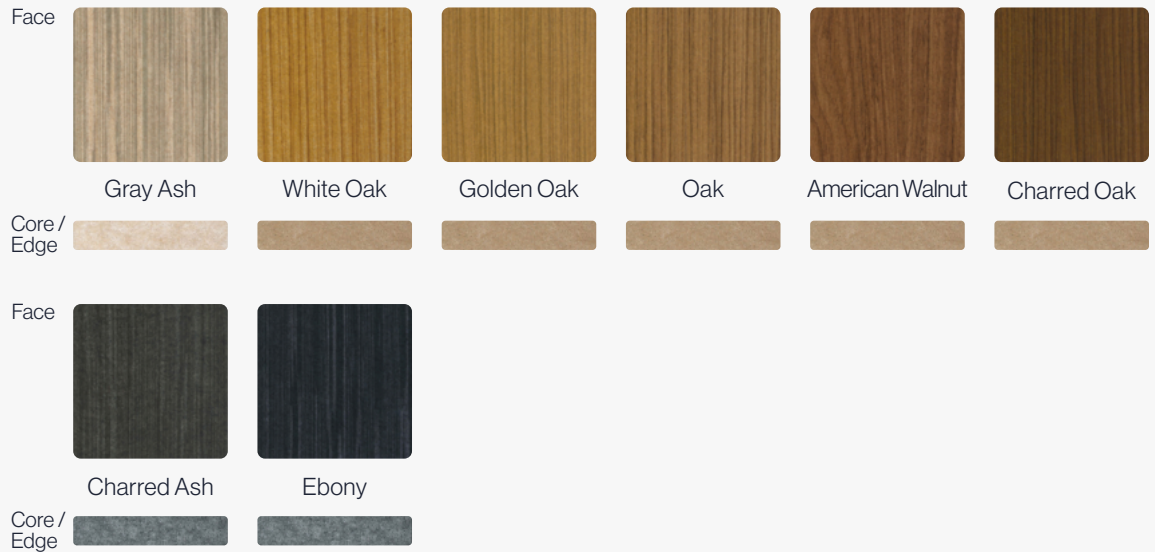
Module Color - Soft Sound®

**Soft Sound®
Essentials**
Standard



**Soft Sound®
Wood Texture**
Premium

i As with natural wood, variation in color and grain is expected and grain will not align across panels.



! Due to the nature of non-woven materials, light may pass through Soft Sound® in any thickness or color. A translucent appearance is most apparent in lighter colors and thin material when a light source is present behind the material. Arktura makes no claims or warranties about the material performing as opaque in any circumstance. To verify a products performance for light transmittance, a mockup of the specific intended use is recommended.

3 Available Finishes

Frame Powder Coat Color

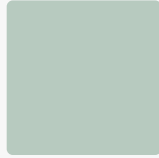
Powder Coat
Standard Finish
Inspired by our
Vivids Collection



Seaweed



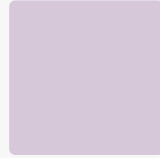
Oasis



Mint



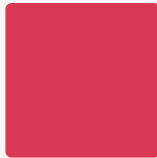
Tropica



Moonwalk



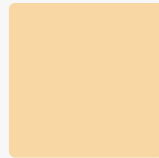
Berry



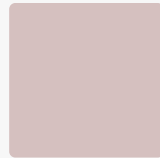
Ruby



Papaya



Lemonade



Pismo



Powder Coat
Standard Finish
Inspired by our
Elementals Collection



Garnet



Seaside



Haze



Seaglass



Harvest



Earthen



Cacao



Terra



Evergreen



Basalt



Available in:

- **AAMA 2604** Color
- **AAMA 2604** or **2605** Color

* Non stock, fee **upcharge**

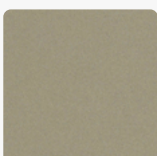


3 Available Finishes

Frame Powder Coat Color



Powder Coat
Standard Finish
Inspired by our
Essentials Collection

					
T-Grid White* (Matte) ••	Arktura White (Matte) ••	Brilliant White* (Gloss) •	Silver Metallic (Semi Gloss) ••	Jet Black (Matte) ••	
					
Aviator Gray (Gloss) ••	Aviator Gray (Matte) ••	Steel Gray ••	Shadow ••	Midnight ••	Coffee •
					
Raw Umber •	Caramel ••	Sandstone ••	Oat ••	Sunflower* •	Torch •
					
Spirit Red (Matte) •	Redwood •	Boysenberry •	Azure* •	Blue Steel* •	Harbor Blue •
					
Forest Green ••	Hartford Green •				

Powder Coat
Premium Metallic
Finish

		
Chilled Champagne (Semi Gloss) ••	Sun Kissed Bronze •	Burnished Bronze (Semi Gloss) ••

Custom Powder Colors
We offer premium non-stock RAL and custom color match options as well. Contact your sales rep for more information.

	
Non-stock Metallic	Non-stock RAL

Available in:
• **AAMA 2604** Color
•• **AAMA 2604** or **2605** Color

* Non stock, fee **upcharge**

* This color was designed to pair with Armstrong color "WH" grid and trim.

4 Product Specifications

System Specs

Dimensions (WxLxD)	Full: 4'- 11 $\frac{3}{8}$ " by 7'-0" by 5 $\frac{3}{4}$ "	Half: 2'- 5 $\frac{3}{4}$ " by 7'-0" by 5 $\frac{3}{4}$ "
Material	12mm Soft Sound® (PET) and Steel Frame	
Openness in Plan	Full 24% ; Half 22%	
Fire Rating	ASTM E84 - Class A	
Acoustics	True NRC® 0.75 ; E-300 Method	
Attachment Method	Threaded Rod	
Accessibility	Optional, hinged hanging bracket (uses $\frac{1}{4}$ "-20 threaded rod vs wires)	
Accessories	Optional Swing-Down Hardware	

This product may be the subject of one or more patents or pending patent applications.
See www.arktura.com/intellectual-property for related patent information.