



A R K T U R A

SoftGrid® Nexus



Ceiling **Baffles**

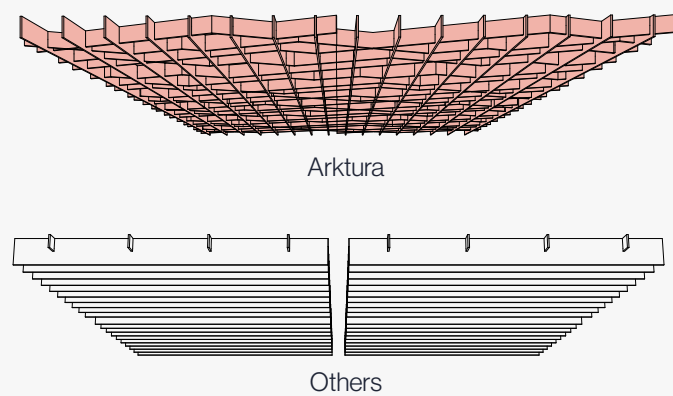
Our Key Features

Nexus brings a sense of structure and dimensionality to your ceiling scape. Featuring a topographical aesthetic, with intersecting linear baffles creating an expansive map of acoustic coverage. Interconnected modules add visual interest to any interior while enhancing the room's acoustics. This suspended system made of our Soft Sound® acoustic materials is available in various colorful finishes, including our Duo Tone finishes, unlocking new design possibilities.



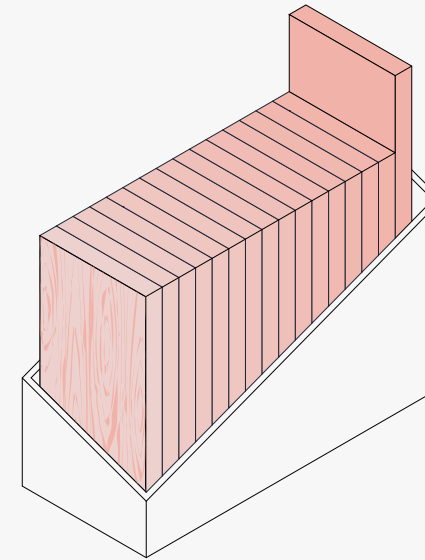
Reduce Noise & Enhance Acoustics

SoftGrid®'s Soft Sound® material reduces the impact of noise from everyday annoyances like ringing, typing, and chatter resulting in a more pleasant and productive environment. SoftGrid®'s material works in concert with the design to help reduce and control reverberations leaving a lasting impression at scales ranging from assembly halls to conference rooms.



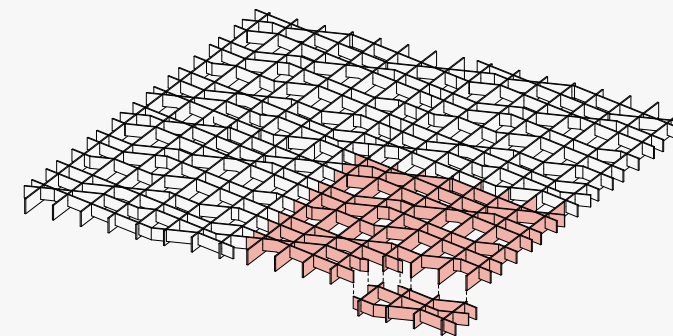
Continuous Baffles

Utilizing a hidden fin to fin alignment system SoftGrid® provides continuity in all directions across your space. In addition our optional hanging points offer a fine tuning capability for installers. Our custom formulated material thickness and density ensures rigidity that limits deflection.



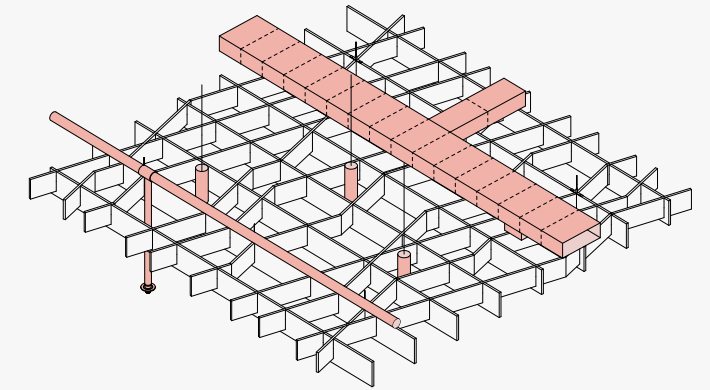
Expansive Soft Sound® Library

Choose from a large library of Soft Sound® colors and wood textures. Mix and match colors to accent fins and complement the color scheme of your space.



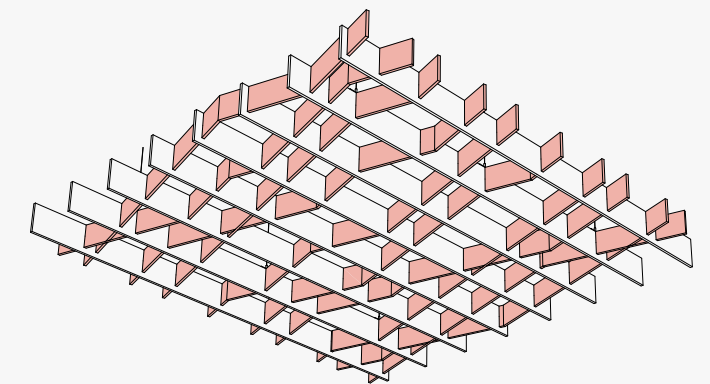
Preconfigured Field Trimmable Solutions

SoftGrid® modules can be trimmed down to a minimum of four fin intersections. By rearranging our adjustable hangers, we make it easy for you to specify standard modules that can be easily field-modified around anticipated and unforeseen site conditions during install.



Open Accessibility in Plan

SoftGrid®'s open grid design makes integrating systems above or below the modules simple and feasible. Easily removable fins and open structure makes accessing lights, HVAC, rigging points, plumbing, AV equipment, and life safety systems easy for your maintenance team.



Duo Capability

Add new dimensions of style, mix colors and textures in an expanding range of dynamic combinations to fully achieve your design intent. Perfect for incorporating branding or composing a dynamic two-tone transformative field.



Scan the QR or Click to Learn More about SoftGrid®

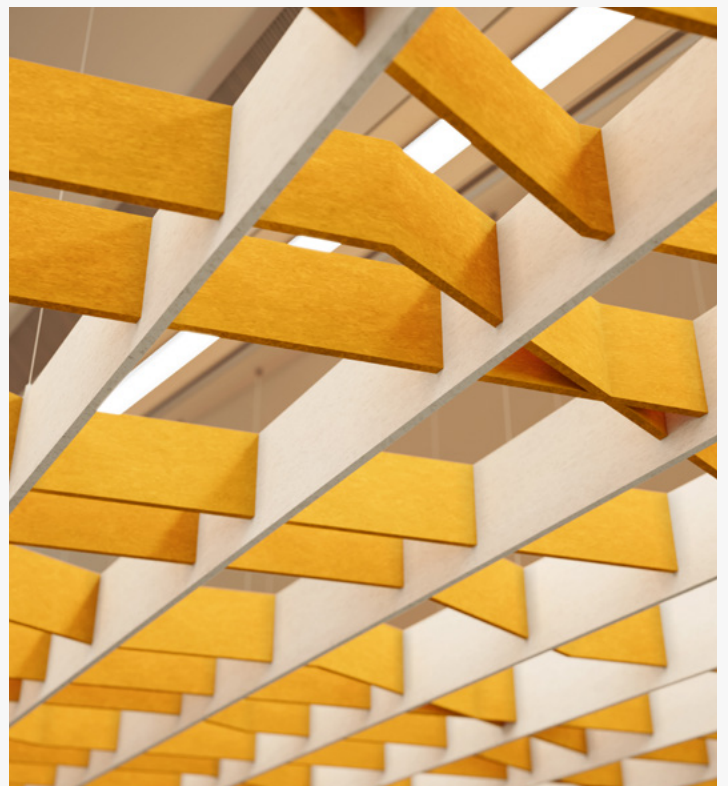
Inspiration



The open plan of this rectilinear structure allows for lighting integration



This structure provides different views from every angle



Bring structure and dimensionality to your ceiling scape

Overview

1 Understanding the System

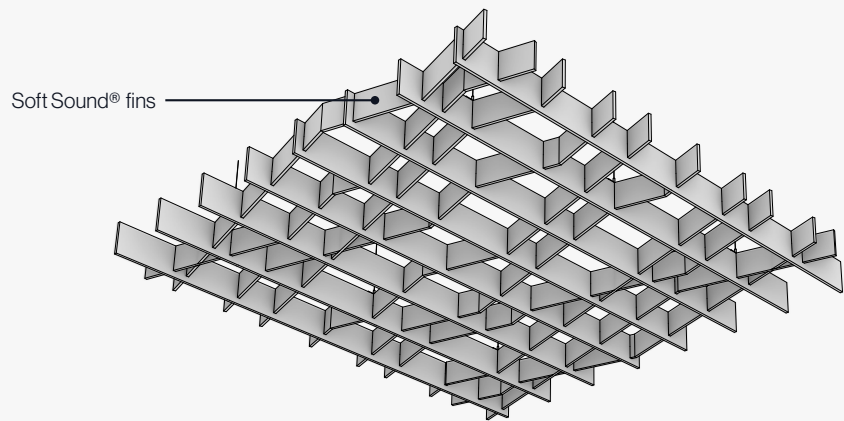
2 Available Finishes

3 Product Specifications

1 Understanding the System

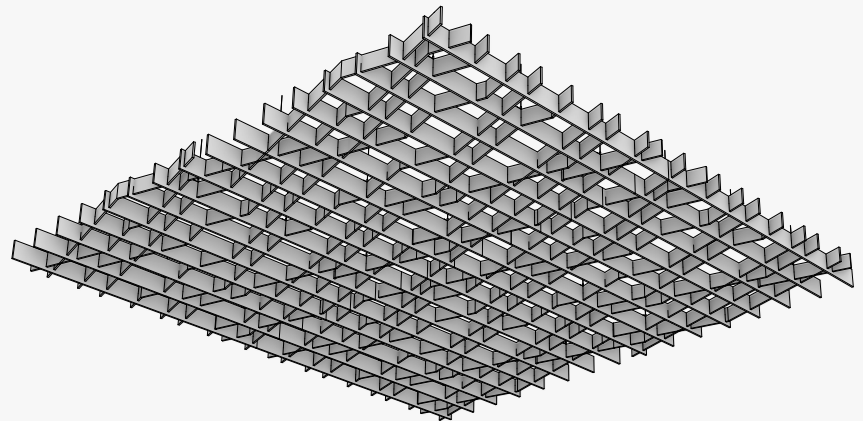
Standard Module

Modules are made from Arktura's lightweight & durable Soft Sound® acoustical material with stainless steel brackets.



Multiple Modules

Modules can be continuously tiled in multiple directions in plan, using the provided connecting brackets.



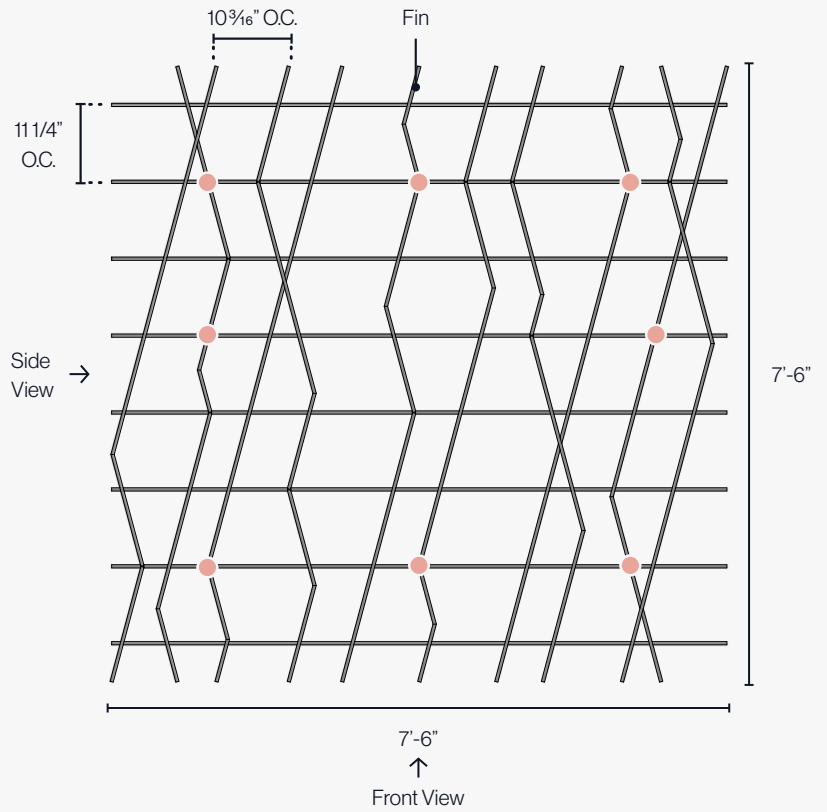
1 Understanding the System

Understanding the Module

Plan

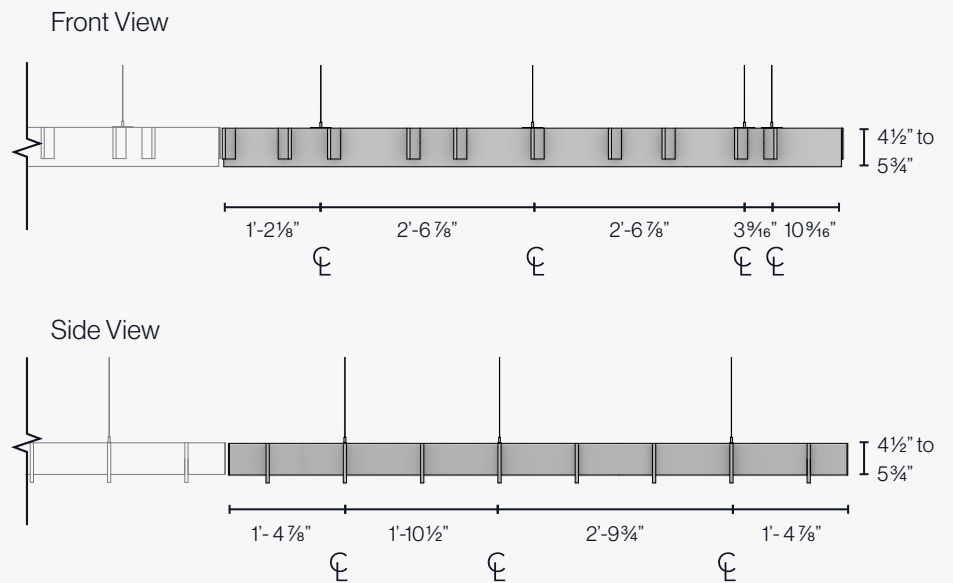
91% Open in Plan

● Required Hang Point Location



Elevations

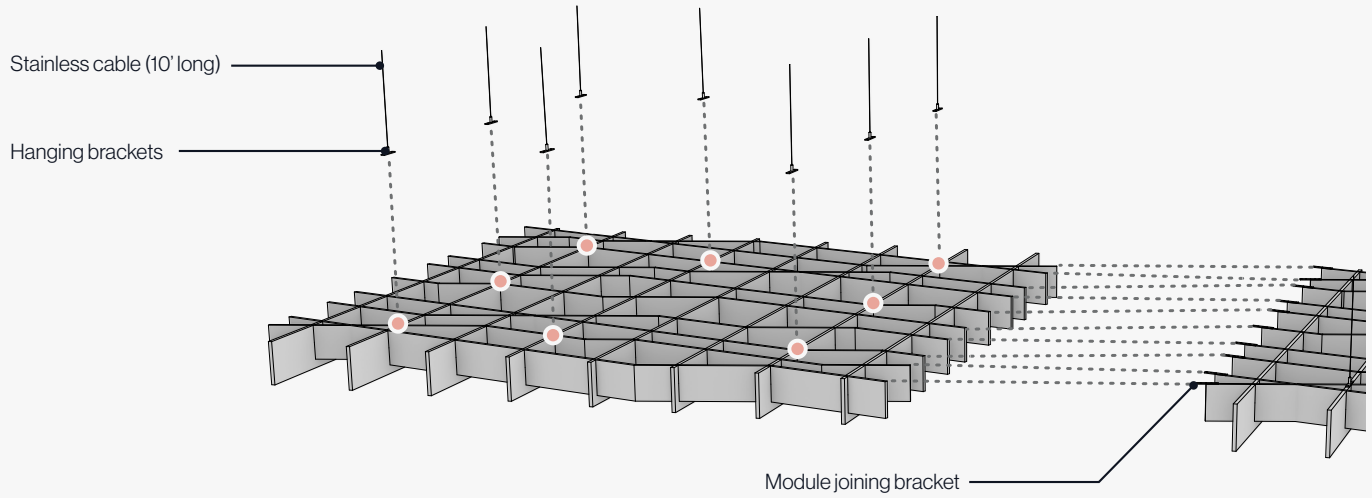
Fin depth varies from 4 1/2" to 5 3/4" deep.



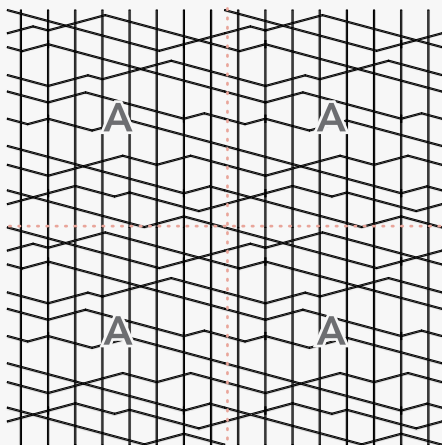
1 Understanding the System

Attachment Details

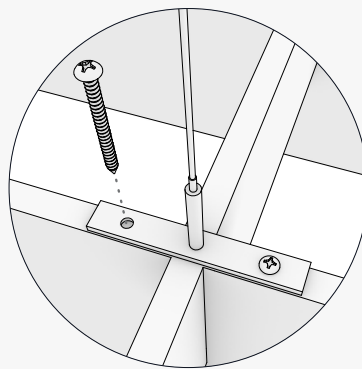
Open percentage allows for the installation of sprinklers from above or between fins (reference your local building codes).



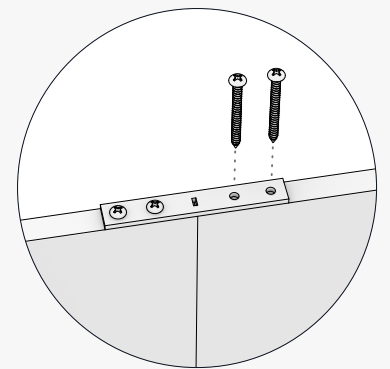
Module Configuration



Hanging Bracket Attachment



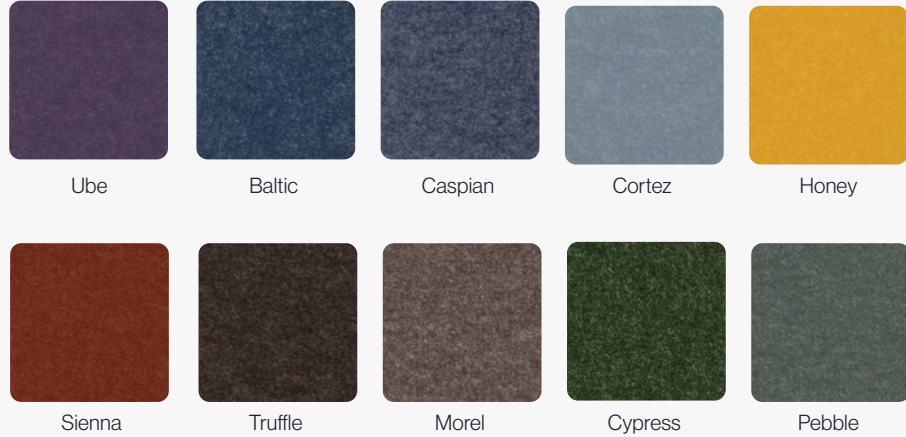
Module Joining Bracket



2 Available Finishes

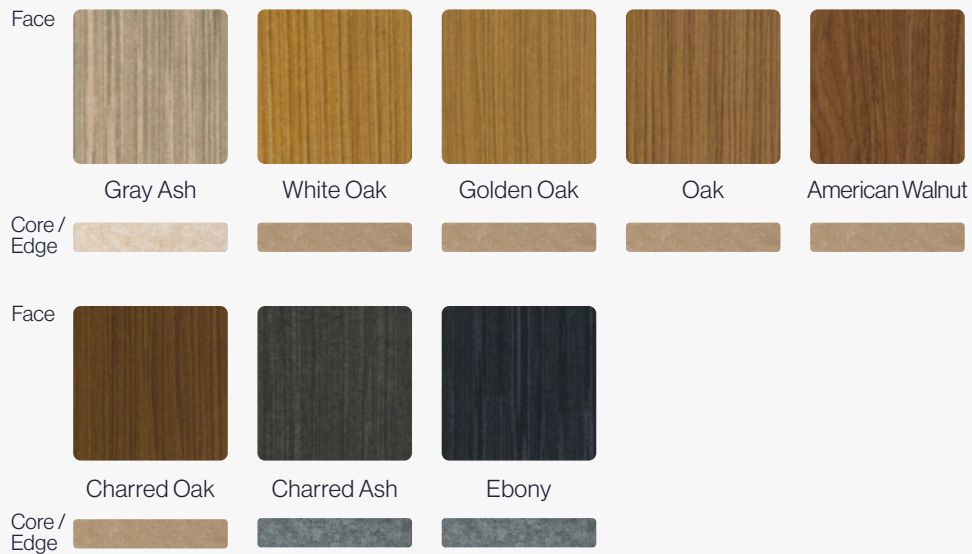
Baffle Color

**Soft Sound®
Elementals**
Standard



**Soft Sound®
Wood Texture**
Premium

i As with natural wood, variation in color and grain is expected and grain will not align across panels.



! Due to the nature of non-woven materials, light may pass through Soft Sound® in any thickness or color. A translucent appearance is most apparent in lighter colors and thin material when a light source is present behind the material. Arktura makes no claims or warranties about the material performing as opaque in any circumstance. To verify a products performance for light transmittance, a mockup of the specific intended use is recommended.

2 Available Finishes

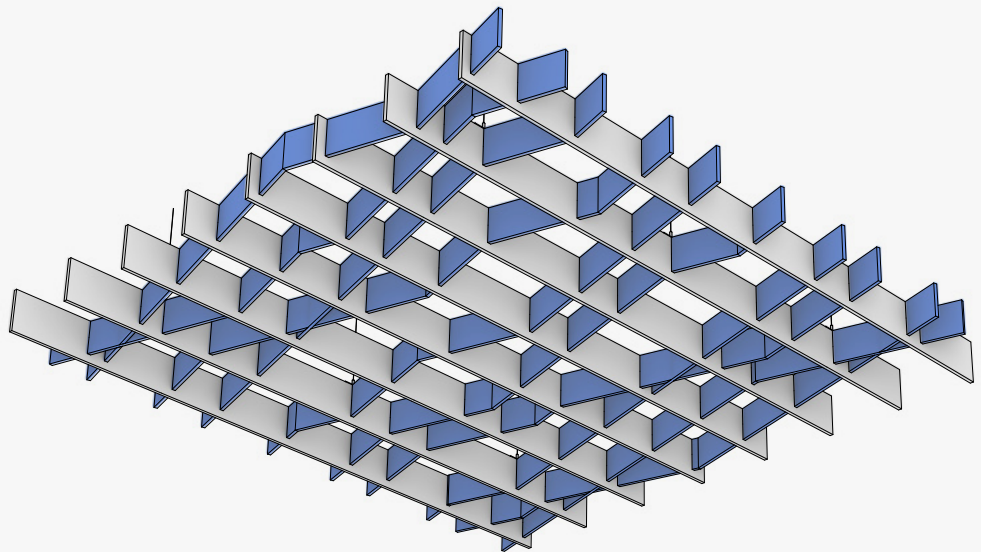
Baffle Color

**Soft Sound®
Essentials
Standard**



Duo Tone
Optional

Select a primary and secondary color to switch up each module.



⚠ Due to the nature of non-woven materials, light may pass through Soft Sound® in any thickness or color. A translucent appearance is most apparent in lighter colors and thin material when a light source is present behind the material. Arktura makes no claims or warranties about the material performing as opaque in any circumstance. To verify a products performance for light transmittance, a mockup of the specific intended use is recommended.

3 Product Specifications & Certifications

System Specs

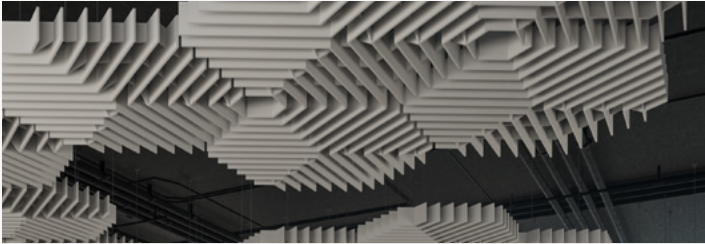
Dimensions (WxLxD)	7'-6" x 7'-6" x 5¾"
Material	12mm Soft Sound® (PET), Stainless Steel
Openness in Plan	91%
Fire Rating	ASTM E84 - Class A
Acoustics	True NRC®: 0.60 (F-100 Method)
Attachment Method	1/32" Stainless Cable and Hardware
Accessibility	Yes, quick release cables
Trimmability	Yes, per installation manual

Patent Pending
Copyright ©2023 Arktura LLC. All rights reserved.

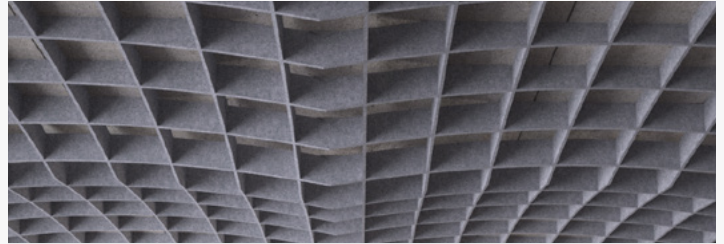
Product Line

Design Options

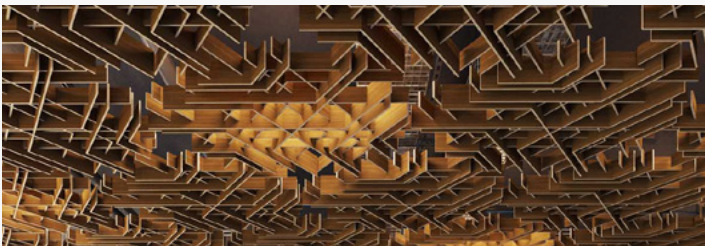
Select the style that best suits your vision and project needs. Pick from a variety of designs, all made from our Soft Sound® acoustical material, to provide high performance sound attenuation while enhancing aesthetics.



SOFTGRID® DECA



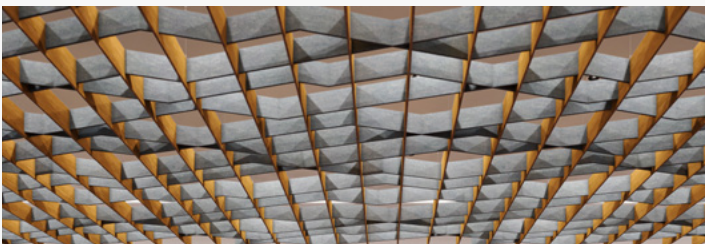
SOFTGRID® DOME



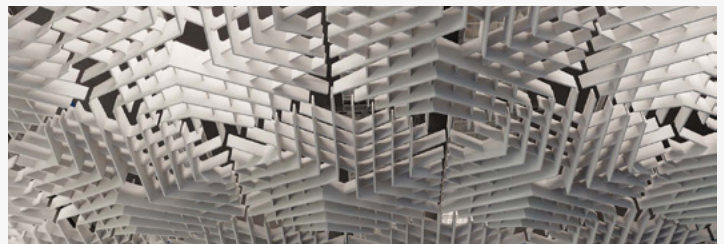
SOFTGRID® FLUX



SOFTGRID® FORGE



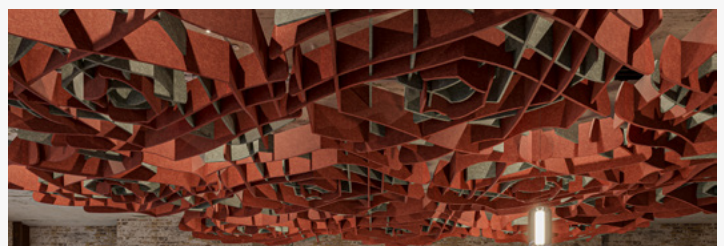
SOFTGRID® NEXUS



SOFTGRID® ORBIT



SOFTGRID® ROUND



SOFTGRID® ROSETTE



SOFTGRID® SINE

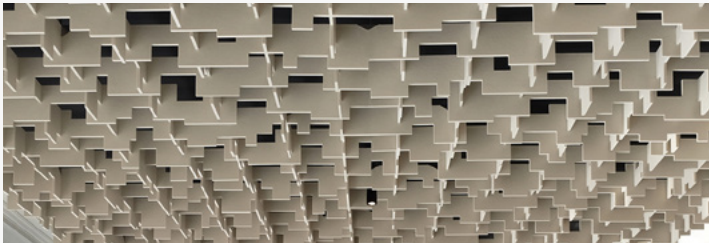


SOFTGRID® SCALE

Product Line

Design Options

Select the style that best suits your vision and project needs. Pick from a variety of designs, all made from our Soft Sound® acoustical material, to provide high performance sound attenuation while enhancing aesthetics.



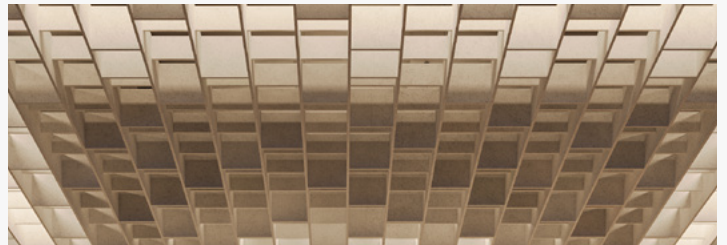
SOFTGRID® SKYLINE



SOFTGRID® SQUARE



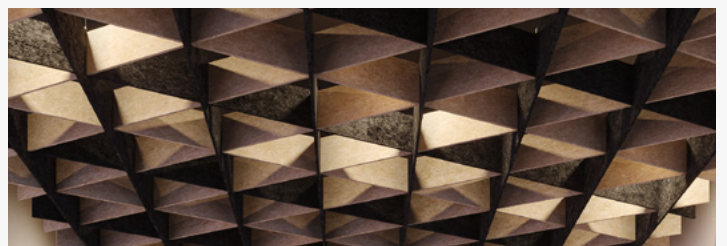
SOFTGRID® SWITCH



SOFTGRID® TEMPO



SOFTGRID® TILT



SOFTGRID® TRELLA



SOFTGRID® WAVE