



A R K T U R A



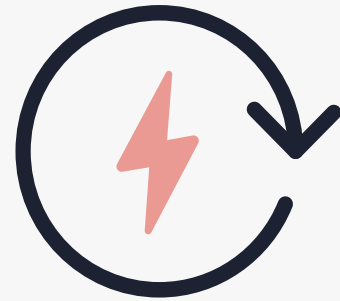
LumAngle®



Fueling Possibilities®

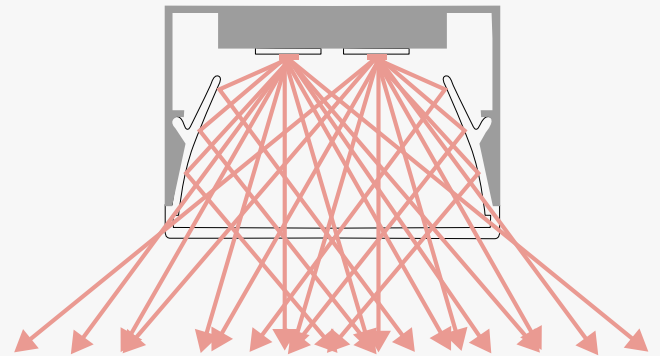
Our Key Features

Arktura brings architectural craftsmanship to dynamic illumination in our new pendant lighting collection, LumAngle®. This high-performance line features three versatile angles - 90°, 120°, and a linear 180° - available in various lengths and finishes. Flexible drop points make it easy to install fixtures as singular statement pieces or create stunning, multi-dimensional lighting arrays. Use LumAngle® to complement our acoustic and metal panel systems and enhance your next commercial design.



Energy Efficiency

Our variable-angled pendant lights offer high-performance LED lights that provide exceptional brightness while using less energy, making them an energy-efficient lighting option for your commercial project. Enjoy long-lasting, efficient lighting that will enhance your space for years to come.



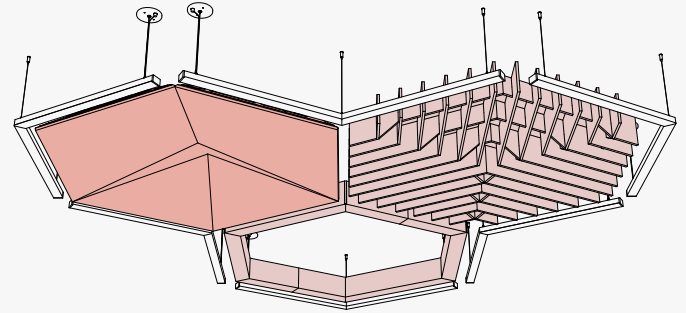
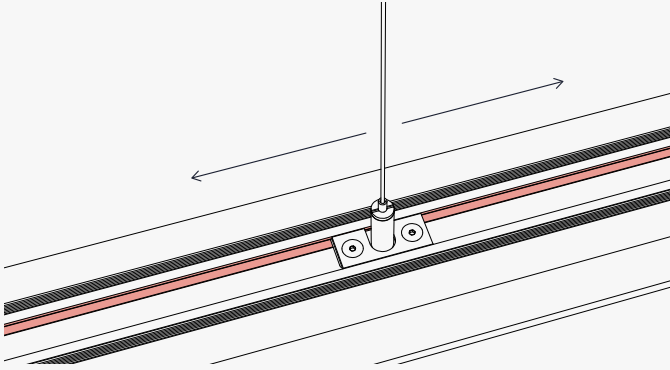
Thoughtful Light Distribution

LumAngle® features a custom lens and LED configuration designed to optimize light spread and create a more enveloping luminance while increasing efficiency.



Scan the QR or Click to Learn More about LumAngle®

Our Key Features

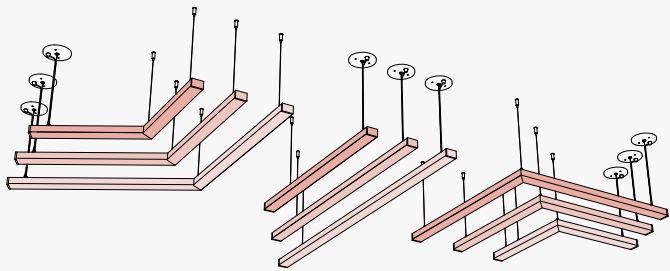


Adjustable Drop Lengths and Locations

These pendant lights offer adjustable drop locations for additional versatility during the installation process. Modify cable drop location along the fixture and adjust cable length for a tailored fit. Ideal for installing in spaces with high ceilings or closer to the ceiling when space is limited. This allows you to experiment with different drop lengths and angles, creating unique and captivating lighting displays.

Compatible with Arktura Products

Designed to complement existing Arktura acoustic collections and metal panel systems. LumAngle® can be installed around the perimeter of select acoustic baffle and cloud systems. LumAngle® can be used in tandem with our full range of architectural products but truly shine when used with: SoundStar®, SoftShapes® Hex, and SoftGrid® Hex designs.



Range of Profiles

Play with the angled configurations to design dramatic geometric clusters that will captivate any space. Multiple angled form factors and size options allow designers to unleash their creativity. These fixtures are available in various powder-coated finishes to offer even more versatility in your next project.

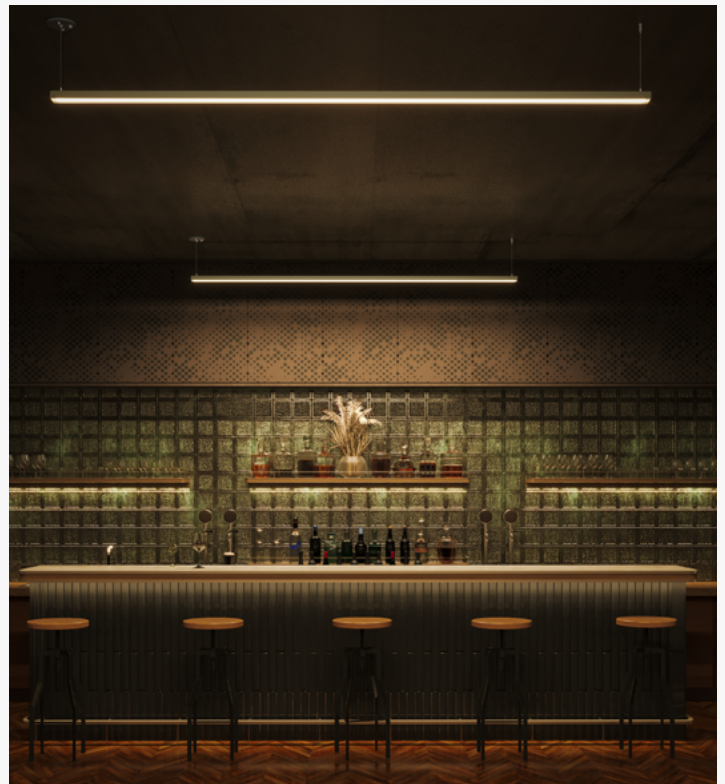
Inspiration - 180



These sleek pendants can be effortlessly integrated with Arktura acoustic systems to add striking illumination.



Modify cable length and drop location for a tailored fit.



The streamlined, minimalist design offers radiant light output.

Inspiration - 120



Install these angled pendants alongside other geometric systems for a creative acoustic lighting layout.



Sharp 120° angles create impressive illumination throughout.



Mix and match profiles to design dramatic angled clusters.

Inspiration - 90



Install as a singular statement piece or with other units to create multi-dimensional lighting arrays.



Rounded edges allow light to spill over for an immersive effect. Multiple angles and size options to express your design creativity.

Overview

1 Understanding the System

3 Product Specifications

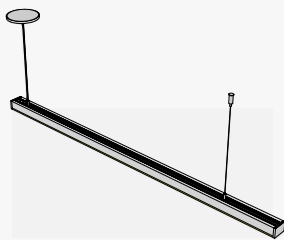
2 Available Finishes

1 Understand the System

Standard Configurations

LumAngle® is offered in three distinctive profiles to best suit your architectural illumination needs.

Top View



LumAngle® 180

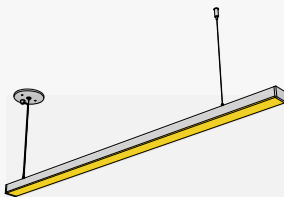


LumAngle® 120

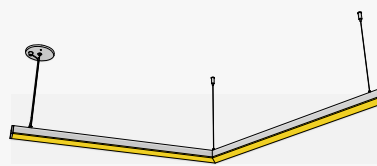


LumAngle® 90

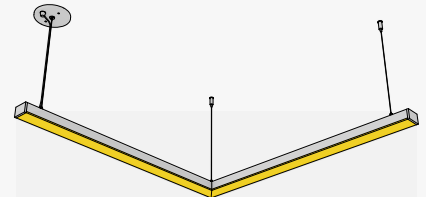
Bottom View



LumAngle® 180



LumAngle® 120



LumAngle® 90

Immersive Illumination

LumAngle® features a rounded bottom edge that allows light to spill over for an immersive, radiant effect.

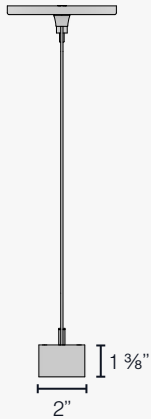


① Understanding the System

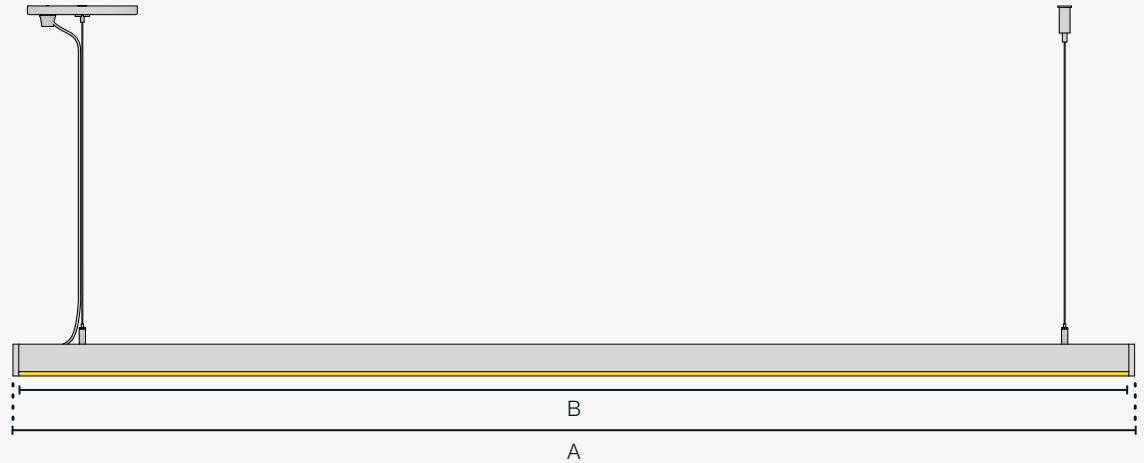
Dimensions - LumAngle® 180

All LumAngle® 180 modules are 2" W and 1-3/8" H, these linear pendants are offered in various lengths ranging from 2' - 8' L.

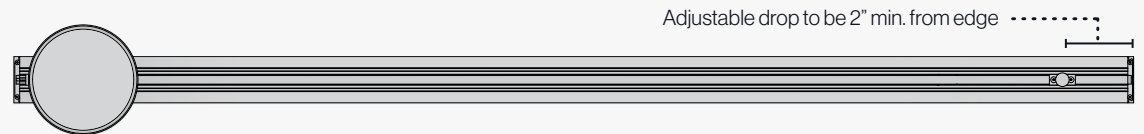
Side View



Front View



Plan View



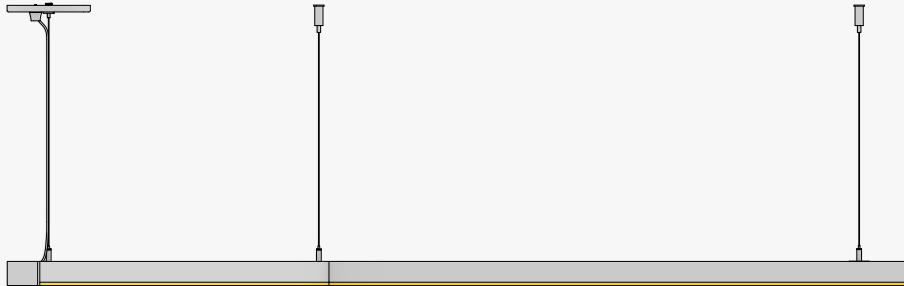
LumAngle 180	A	B
LumAngle 180° - 2' L	2'- 1/2"	2'
LumAngle 180° - 3' L	3'- 1/2"	3'
LumAngle 180° - 4' L	4'- 1/2"	4'
LumAngle 180° - 5' L	5'- 1/2"	5'
LumAngle 180° - 6' L	6'- 1/2"	6'
LumAngle 180° - 7' L	7'- 1/2"	7'
LumAngle 180° - 8' L	8'- 1/2"	8'

① Understanding the System

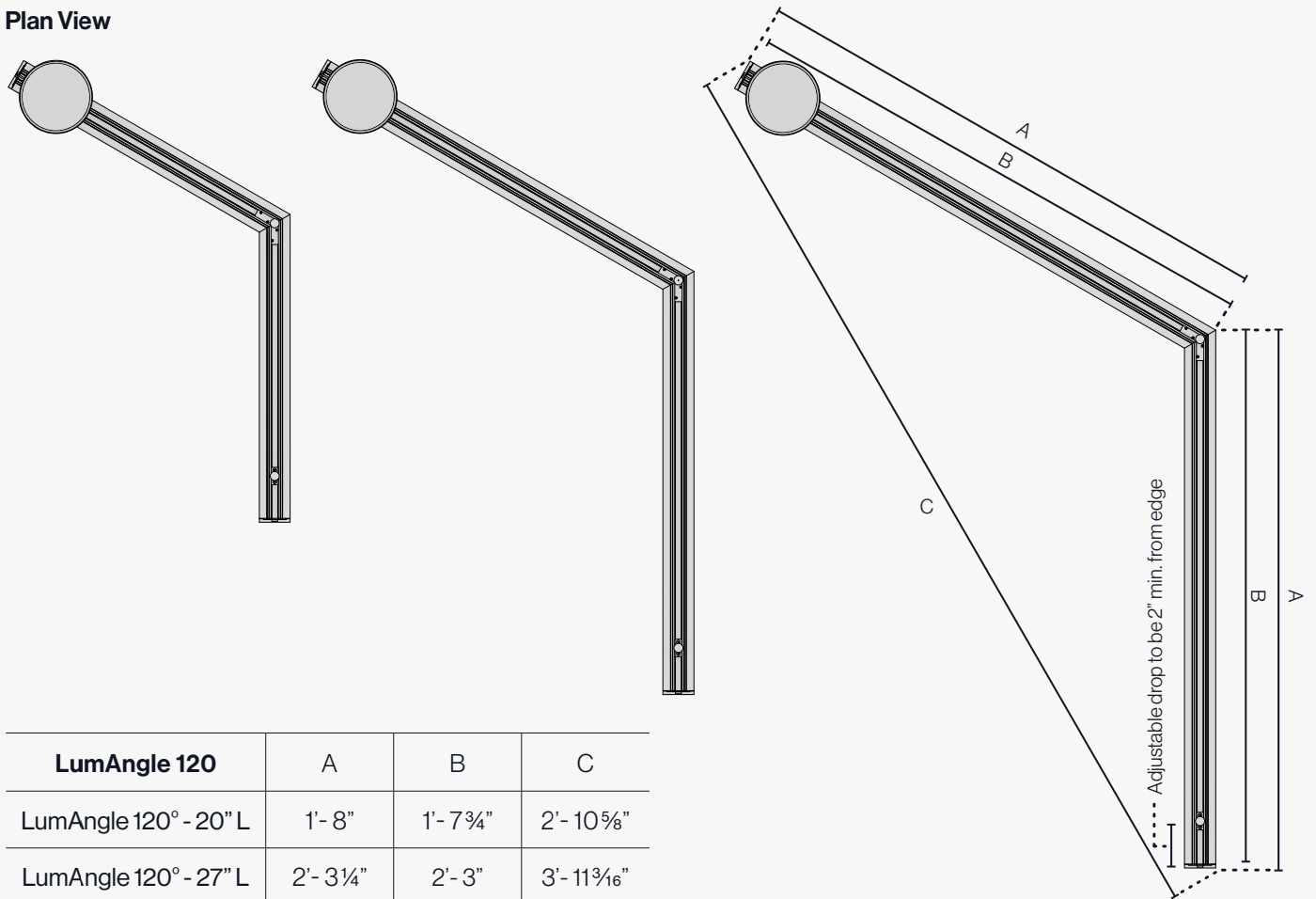
Dimensions - LumAngle® 120

Each side of the LumAngle® 120 modules are 2" W and 1-3/8" H, these angled pendants are offered in various lengths with either side measuring 20", 27", and 34"

Side View



Plan View



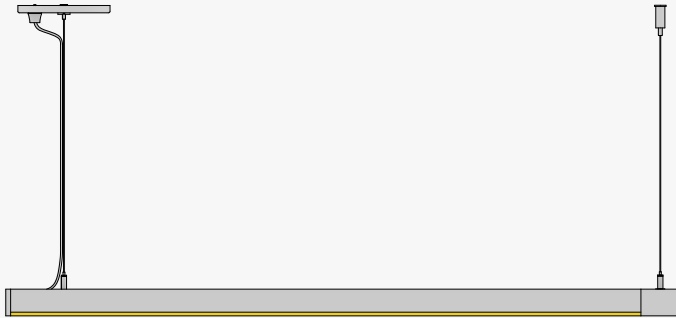
LumAngle 120	A	B	C
LumAngle 120° - 20" L	1'- 8"	1'- 7¾"	2'- 10⅝"
LumAngle 120° - 27" L	2'- 3¼"	2'- 3"	3'- 11⅜"
LumAngle 120° - 34" L	2'- 10⅞"	2'- 10¾"	4'- 11⅝"

① Understanding the System

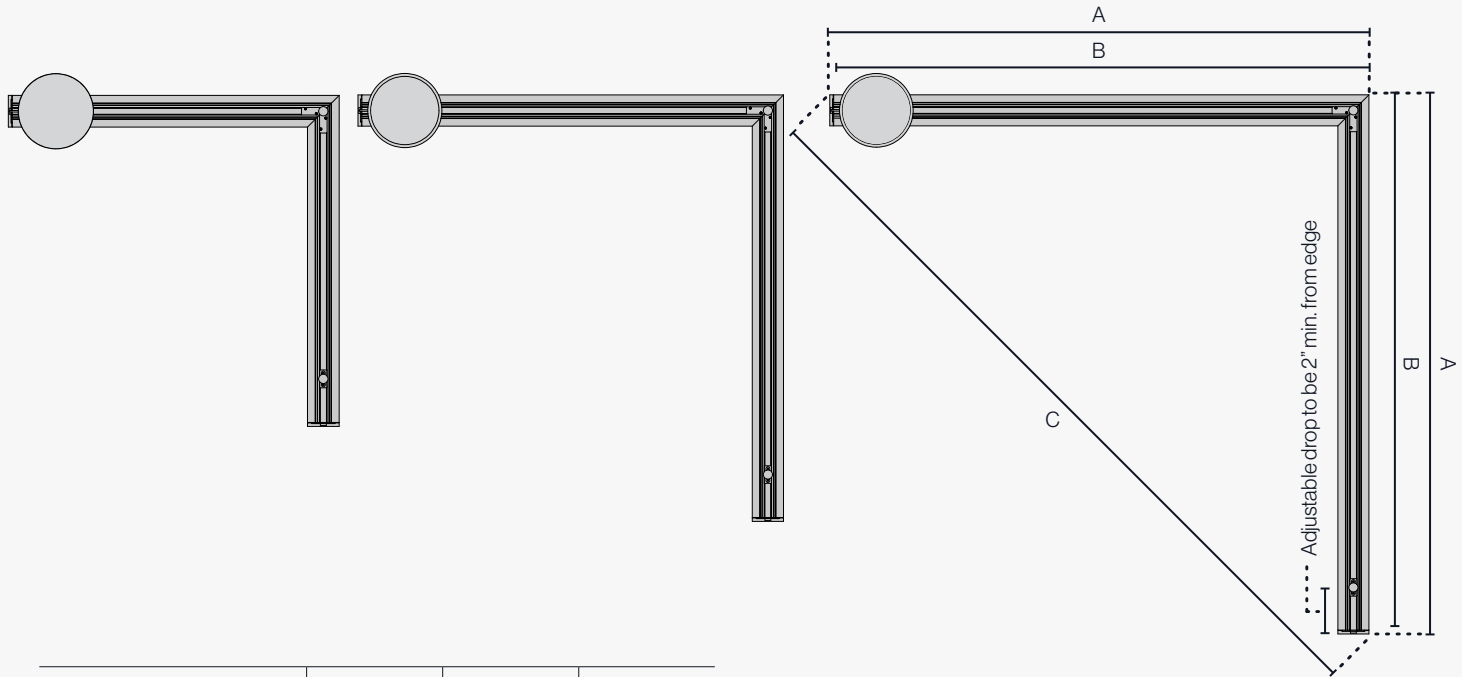
Dimensions - LumAngle® 90

Each side of the LumAngle® 90 modules are 2" W and 1-3/8" H, these corner pendants are offered in various lengths with either side measuring 20", 27", and 34"

Front View



Plan View



LumAngle 90	A	B	C
LumAngle 90° - 20" L	1'- 8 3/8"	1'- 8 1/8"	2'- 4 13/16"
LumAngle 90° - 27" L	2'- 3 5/8"	2'- 3 3/8"	3'- 3 1/16"
LumAngle 90° - 34" L	2'- 10 3/4"	2'- 10 1/2"	4'- 1 1/8"

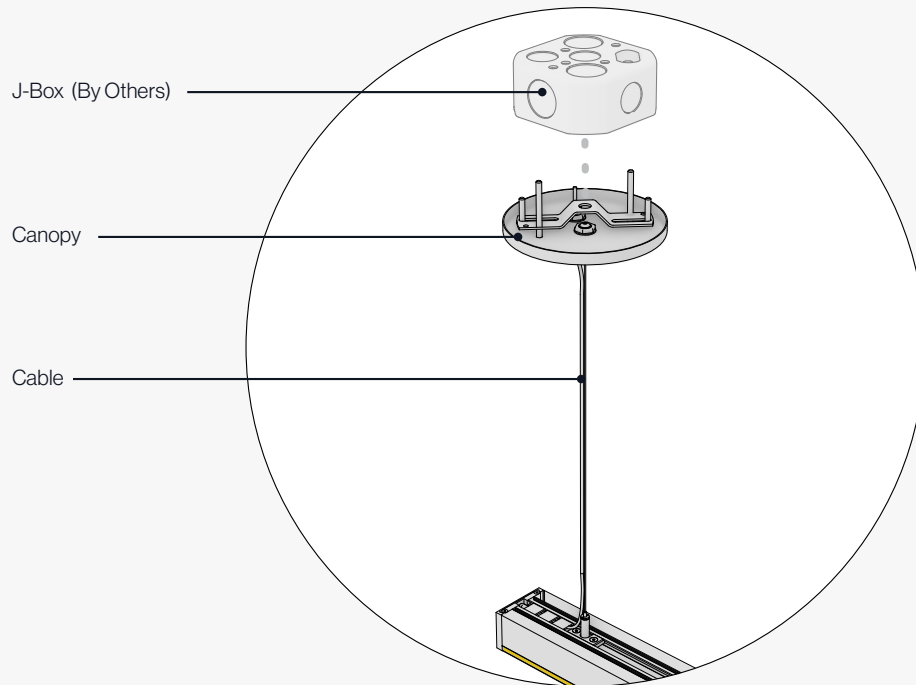
1 Understanding the System

Attachment Details

Each side of the pendant features a ceiling mounting cable, with one side connecting electrical cabling to the canopy.



* Refer to Installation Manual or Contact Your Rep for More Info.

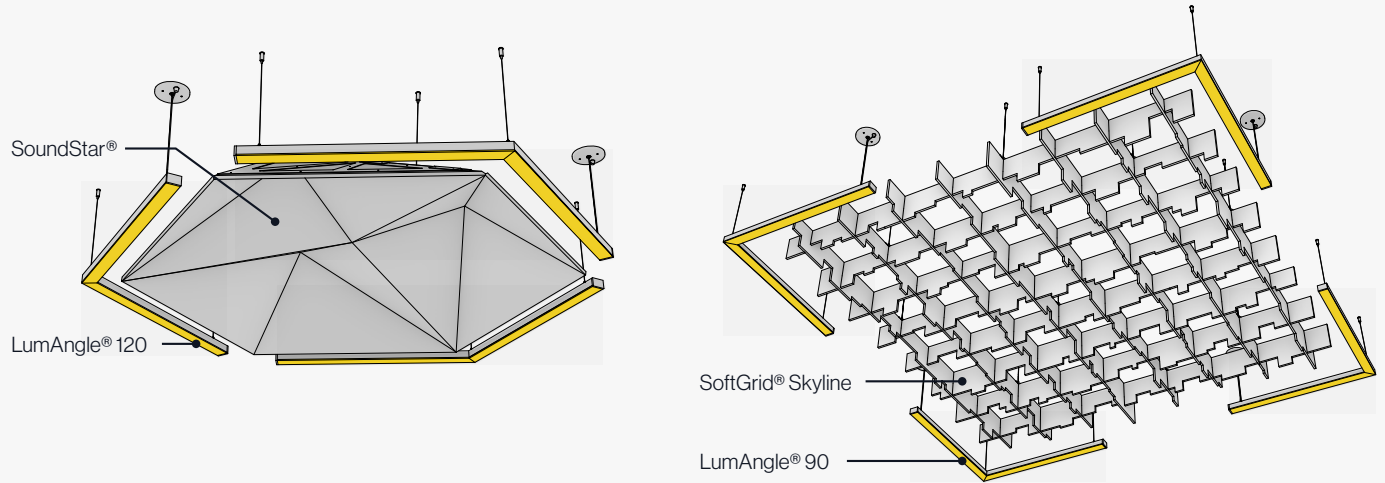


1 Understanding the System

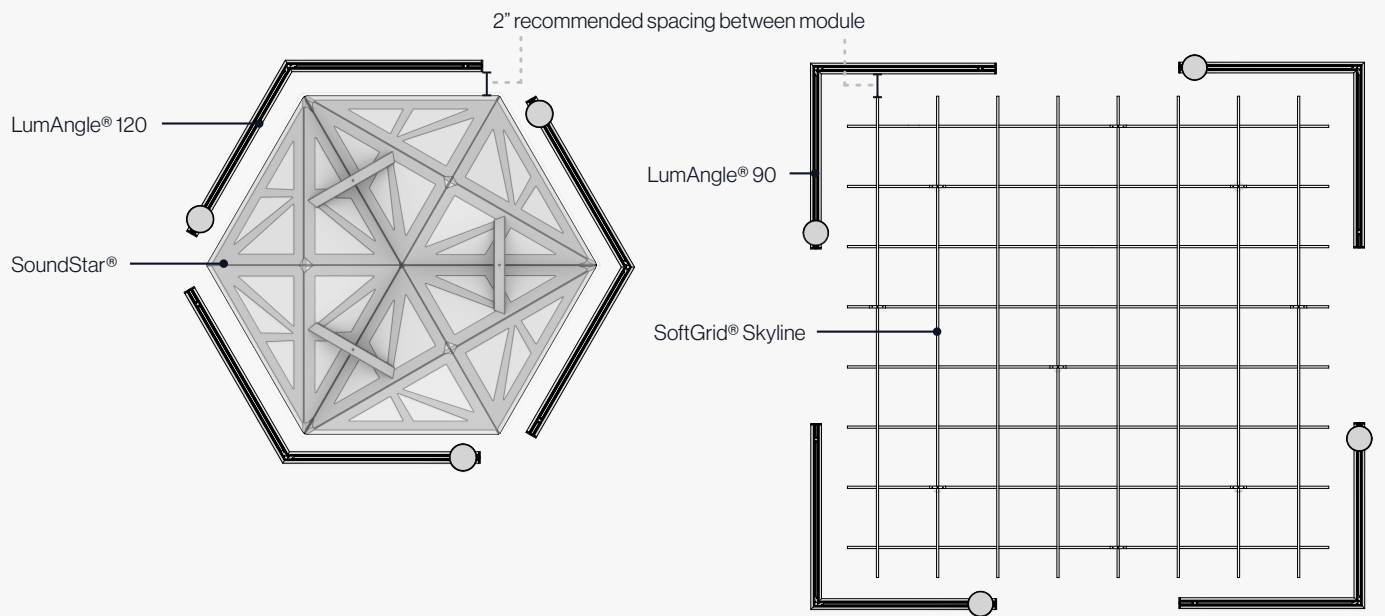
Integration with other Modules

LumAngle® can be installed in tandem with other Arktura acoustic systems, please note there should be at least 2" between the pendant and acoustic system.

Example Perspective View



Example Plan View



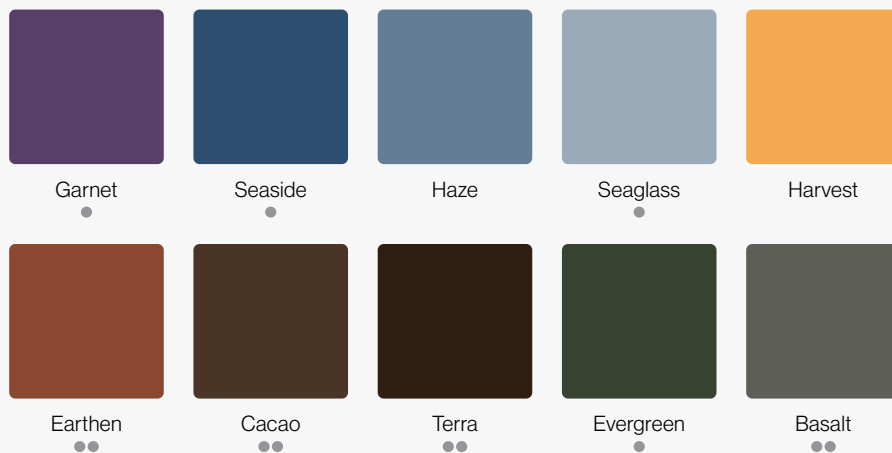
2 Available Finishes

Module Color

Powder Coat
Standard Finish
Inspired by our
Vivids Collection



Powder Coat
Standard Finish
Inspired by our
Elementals Collection



Available in:

- AAMA 2604 Color
- AAMA 2604 or 2605 Color

* Non stock, fee **upcharge**

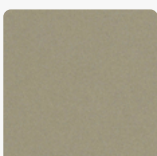


2 Available Finishes

Module Color



Powder Coat
Standard Finish
Inspired by our
Essentials Collection

					
T-Grid White* (Matte) ••	Arktura White (Matte) ••	Brilliant White* (Gloss) •	Silver Metallic (Semi Gloss) ••	Jet Black (Matte) ••	
					
Aviator Gray (Gloss) ••	Aviator Gray (Matte) ••	Steel Gray ••	Shadow ••	Midnight ••	Coffee •
					
Raw Umber •	Caramel ••	Sandstone ••	Oat ••	Sunflower* •	Torch •
					
Spirit Red (Matte) •	Redwood •	Boysenberry •	Azure* •	Blue Steel* •	Harbor Blue •
					
Forest Green ••	Hartford Green •				

Powder Coat
Premium Metallic
Finish

		
Chilled Champagne (Semi Gloss) ••	Sun Kissed Bronze •	Burnished Bronze (Semi Gloss) ••

Custom Powder Colors
We offer premium non-stock RAL and custom color match options as well. Contact your sales rep for more information.

	
Non-stock Metallic	Non-stock RAL

Available in:
• **AAMA 2604** Color
•• **AAMA 2604** or **2605** Color

* Non stock, fee **upcharge**
* This color was designed to pair with Armstrong color "WH" grid and trim.

2 Available Finishes

Canopy Color

Canopy and cord assembly available in Arktura White or Jet Black.

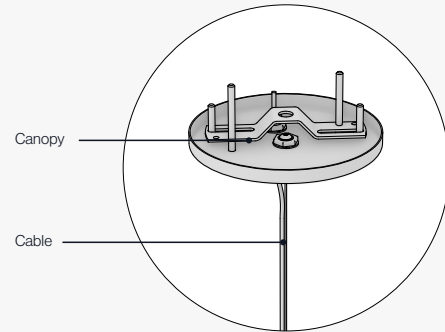
* Canopy can be field painted (by others).




Arktura White
(Matte)



Jet Black
(Matte)



 All premium and standard finishes shown are designed for interior specifications. Products may be specified for exterior use, and with all treatments required by local code or facility, including custom color match or specialty finishes. Any changes to specification from interior standard or interior premium will result in a custom powder coat fee.

3 Product Specifications & Certifications

System Specs

	LumAngle®	Widths	Heights	Lengths
Dimensions	180	2"	1 3/8"	2'- 1/2", 3'- 1/2", 4'- 1/2", 5'- 1/2", 6'- 1/2", 7'- 1/2" & 8'- 1/2"
	90	2"	1 3/8"	1'- 8 1/8", 2'- 3 3/8" & 2'- 10 1/2" *
	120	2"	1 3/8"	1'- 7 3/4", 2'- 3" & 2'- 10 3/16" *
Material	Aluminum, Acrylic			
Cable	UL Rated Cable 18AWG 10FT (longer length available)			
Attachment Method	Cable Hung			

* Listed length measurements apply to either side of the angled pendants.

Product Certifications

Electrical Safety Certification

Learn more at intertek.com/marks/etl/



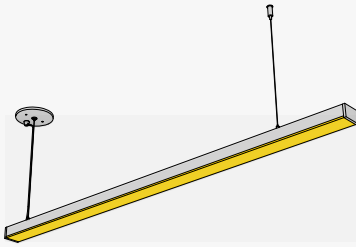
Certification for Lighting

This product may be the subject of one or more patents or pending patent applications. See www.arktura.com/intellectual-property for related patent information.

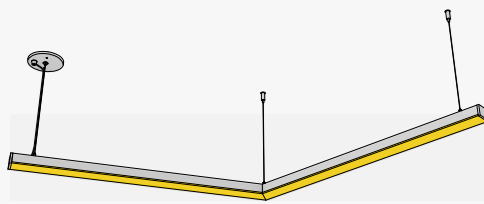
Lighting Specs

Explore our specifications to find the perfect fit for your lighting project.

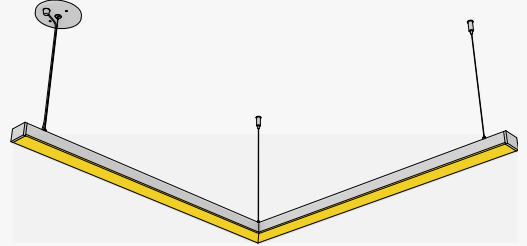
Configurations



LumAngle® 180



LumAngle® 120

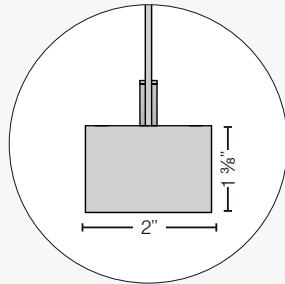


LumAngle® 90

Immersive Illumination



Dimension

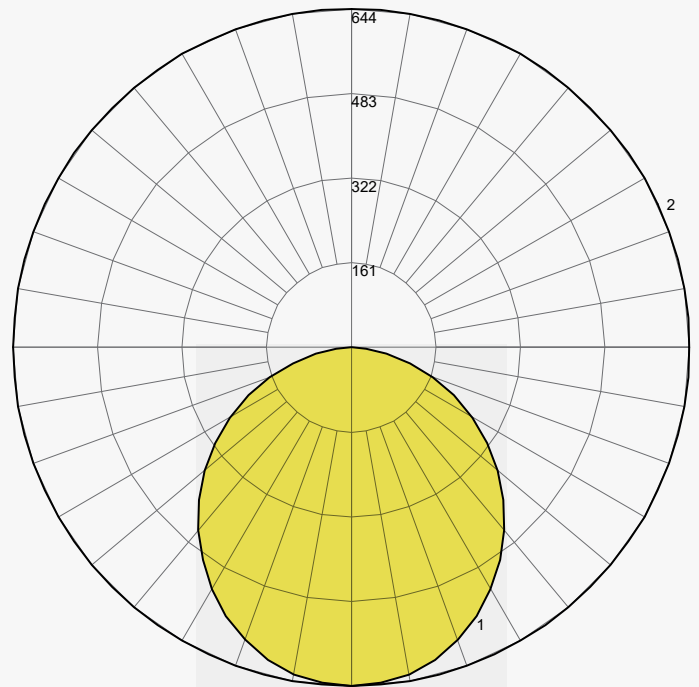


Photometric

Located At Horizontal Angle = 0, Vertical Angle = 0

1 - Vertical Plane Through Horizontal Angles (0 - 180) (Through Max. Cd.)

2 - Horizontal Cone Through Vertical Angle (0) (Through Max. Cd.)




Universal Specs

CRI	90+
Color Temperatures	3000K, 3500K, 4000K**
Operating Temperatures	-20C - +50°C (-4F - +122°F)
Dimming Options	TRIAC/Phase, ELV, MLV, 0-10V, When Paired with Arktura LED Driver
Emergency	50W Emergency Battery Kit AK-EB0001***
Cable	UL Rated Cable 18AWG 10FT (Longer length available)
Environment	Indoor Locations Only
Markings	ETL Listed, Complies with UL 1598 & CSA C22.2#250.0:2021 Ed.5
Lifetime	L70 - 50,000 hours
Warranty	5 Years, Limited

* Efficiency at 3500K 90CRI

** Consult factory for custom color temperatures.

*** Emergency battery kit sold separately.

 Image represent LumAngle®
180-10W 3500K

Lighting Specs

Explore our specifications to find the perfect fit for your lighting project.

LumAngle® 180°						
Description	Length (ft)	W/Ft	Lm/Ft	Fixture Lumens	Lm/W	Fixture Watts
LumAngle 180° - 2' L - 3.5 W/ft	2	3.5	349	698	102	7
LumAngle 180° - 2' L - 5 W/ft	2	5	525	1050	114	10
LumAngle 180° - 2' L - 7 W/ft	2	7	614	1228	98	14
LumAngle 180° - 2' L - 10 W/ft	2	10	1021	2042	110	20
LumAngle 180° - 3' L - 3.5 W/ft	3	3.5	349	1047	102	10.5
LumAngle 180° - 3' L - 5 W/ft	3	5	525	1575	114	15
LumAngle 180° - 3' L - 7 W/ft	3	7	614	1842	98	21
LumAngle 180° - 3' L - 10 W/ft	3	10	1021	3063	110	30
LumAngle 180° - 4' L - 3.5 W/ft	4	3.5	349	1396	102	14
LumAngle 180° - 4' L - 5 W/ft	4	5	525	2100	114	20
LumAngle 180° - 4' L - 7 W/ft	4	7	614	2456	98	28
LumAngle 180° - 4' L - 10 W/ft	4	10	1021	4084	110	40
LumAngle 180° - 5' L - 3.5 W/ft	5	3.5	349	1745	102	17.5
LumAngle 180° - 5' L - 5 W/ft	5	5	525	2625	114	25
LumAngle 180° - 5' L - 7 W/ft	5	7	614	3070	98	35
LumAngle 180° - 5' L - 10 W/ft	5	10	1021	5105	110	50
LumAngle 180° - 6' L - 3.5 W/ft	6	3.5	349	2094	102	21
LumAngle 180° - 6' L - 5 W/ft	6	5	525	3150	114	30
LumAngle 180° - 6' L - 7 W/ft	6	7	614	3684	98	42
LumAngle 180° - 6' L - 10 W/ft	6	10	1021	6126	110	60
LumAngle 180° - 7' L - 3.5 W/ft	7	3.5	349	2443	102	24.5
LumAngle 180° - 7' L - 5 W/ft	7	5	525	3675	114	35
LumAngle 180° - 7' L - 7 W/ft	7	7	614	4298	98	49
LumAngle 180° - 7' L - 10 W/ft	7	10	1021	7147	110	70
LumAngle 180° - 8' L - 3.5 W/ft	8	3.5	349	2792	102	28
LumAngle 180° - 8' L - 5 W/ft	8	5	525	4200	114	40
LumAngle 180° - 8' L - 7 W/ft	8	7	614	4912	98	56
LumAngle 180° - 8' L - 10 W/ft	8	10	1021	8168	110	80

LumAngle® 120°						
Description	Length (in)	W/Ft	Lm/Ft	Fixture Lumens	Lm/W	Fixture Watts
LumAngle 120° - 20" L - 3.5 W/ft	20	3.5	349	1116.8	102	11.2
LumAngle 120° - 20" L - 5 W/ft	20	5	525	1680	114	16
LumAngle 120° - 20" L - 7 W/ft	20	7	614	1964.8	98	22.4
LumAngle 120° - 20" L - 10 W/ft	20	10	1021	3267.2	110	32
LumAngle 120° - 27" L - 3.5 W/ft	27	3.5	349	1535.6	102	15.4
LumAngle 120° - 27" L - 5 W/ft	27	5	525	2310	114	22
LumAngle 120° - 27" L - 7 W/ft	27	7	614	2701.6	98	30.8
LumAngle 120° - 27" L - 10 W/ft	27	10	1021	4492.4	110	44
LumAngle 120° - 34" L - 3.5 W/ft	34	3.5	349	1954.4	102	19.6
LumAngle 120° - 34" L - 5 W/ft	34	5	525	2940	114	28
LumAngle 120° - 34" L - 7 W/ft	34	7	614	3438.4	98	39.2
LumAngle 120° - 34" L - 10 W/ft	34	10	1021	5717.6	110	56

LumAngle® 90°						
Description	Length (in)	W/Ft	Lm/Ft	Fixture Lumens	Lm/W	Fixture Watts
LumAngle 90° - 20" L - 3.5 W/ft	20	3.5	349	1116.8	102	11.2
LumAngle 90° - 20" L - 5 W/ft	20	5	525	1680	114	16
LumAngle 90° - 20" L - 7 W/ft	20	7	614	1964.8	98	22.4
LumAngle 90° - 20" L - 10 W/ft	20	10	1021	3267.2	110	32
LumAngle 90° - 27" L - 3.5 W/ft	27	3.5	349	1535.6	102	15.4
LumAngle 90° - 27" L - 5 W/ft	27	5	525	2310	114	22
LumAngle 90° - 27" L - 7 W/ft	27	7	614	2701.6	98	30.8
LumAngle 90° - 27" L - 10 W/ft	27	10	1021	4492.4	110	44
LumAngle 90° - 34" L - 3.5 W/ft	34	3.5	349	1954.4	102	19.6
LumAngle 90° - 34" L - 5 W/ft	34	5	525	2940	114	28
LumAngle 90° - 34" L - 7 W/ft	34	7	614	3438.4	98	39.2
LumAngle 90° - 34" L - 10 W/ft	34	10	1021	5717.6	110	56