



A R K T U R A

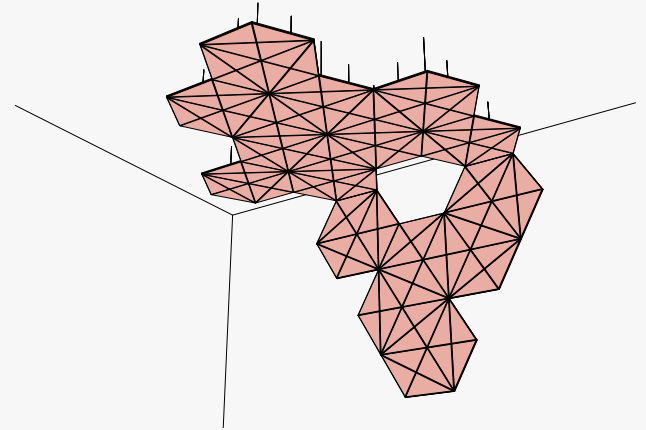
GeoSound® Diamond



Ceiling **Clouds** + Wall **Panels**

Our Key Features

Modern acoustic design as stunning as it is versatile, GeoSound® Diamond delivers streamlined geometric modularity. Its beveled, diamond-shaped form, inspired by our SoundStar® system, can be used in flat minimalist fields or clustered together to produce dazzling dimensional displays across ceilings or walls. Create hexagonal configurations that easily pair with existing geometric systems from Arktura to bring impressive acoustic coverage to any space. Diamonds can also be used across walls to create immersive installs. Made from our Soft Sound® acoustic material, this angular cloud system can be specified in over 30+ colorful finishes.



Dynamic Modules

GeoSound® Diamond's unique diamond-shaped design clusters beautifully in open areas or is centralized where support is needed most. GeoSound® can be suspended individually as an acoustic cloud or wall mounted to create an immersive visual experience.



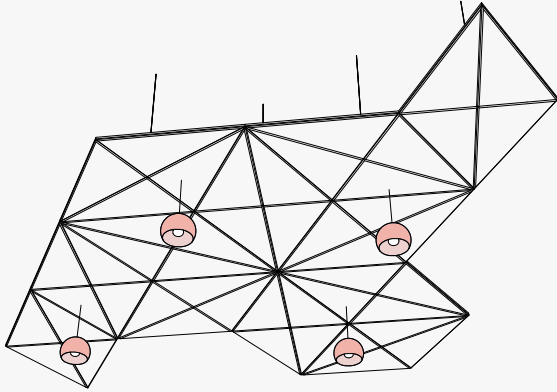
Reduce Noise & Enhance Acoustics

GeoSound® Diamond's Soft Sound® material reduces the impact of noise from everyday annoyances like ringing, typing, and chatter, resulting in a more pleasant and productive environment. This material works with a flat design to help reduce and control reverberations and diffuse sound, leaving a lasting impression at scale.



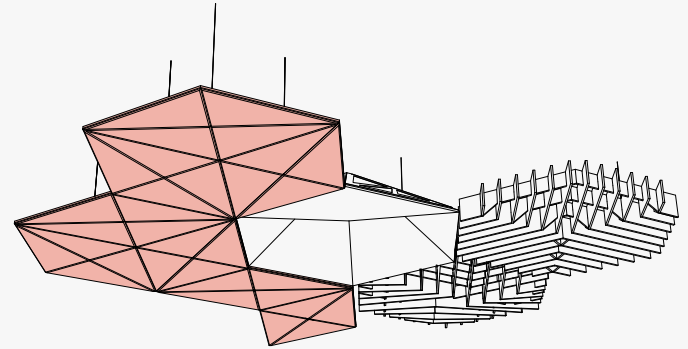
Scan the QR or Click to Learn
More about GeoSound® Diamond

Our Key Features



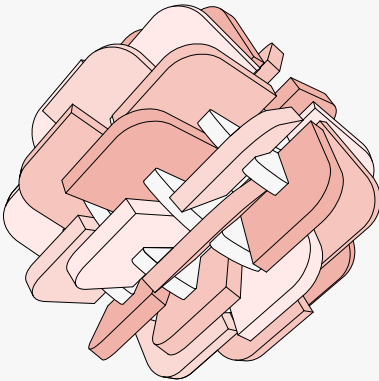
Thoughtful Integration

GeoSound® Diamond can be installed around integrated building fixtures such as lights, HVAC, audio, or fire suppression systems through field trimming, adding flexibility.



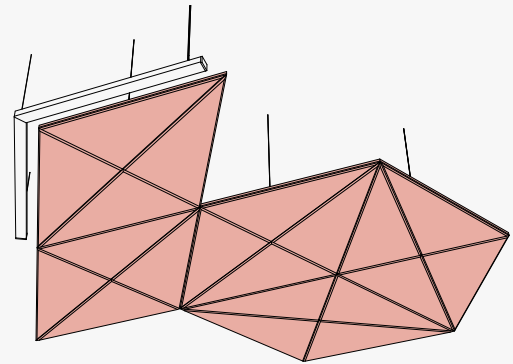
Compatible with Hexagonal Systems

GeoSound® Diamond is compatible with other hexagonal systems from Arktura, including SoundStar®, SoftGrid® Hex, and SoftShapes® Hex, to fully immerse any space in acoustic attenuation.



Expansive Soft Sound® Library

Choose from an extensive library of Soft Sound® colors. Mix and match colors to accent fins and complement your space's color scheme.



Create Unique Configurations

Connect GeoSound® Diamond modules together seamlessly as clusters to create unique layouts thanks to their easy-to-use quick magnet connections.

Inspiration



Specify in over 30+ Soft Sound® acoustic finishes



GeoSound® Diamond pairs with our other geometric acoustic cloud systems.

www.arktura.com | info@arktura.com



Easily connect GeoSound® Diamond modules to create unique acoustic layouts.

Fueling Possibilities® | 4

Overview

1 Understanding the System

2 Available Finishes

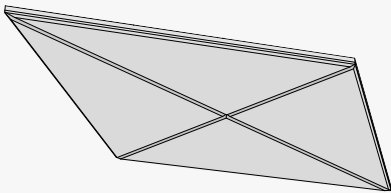
3 Product Specifications

1 Understanding the System

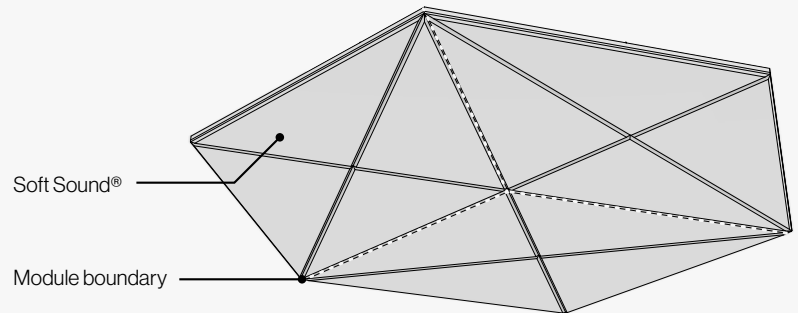
Standard Module

Single Diamond modules can be connected together to create other form factors, three Diamonds come together to create a hexagon.

Diamond

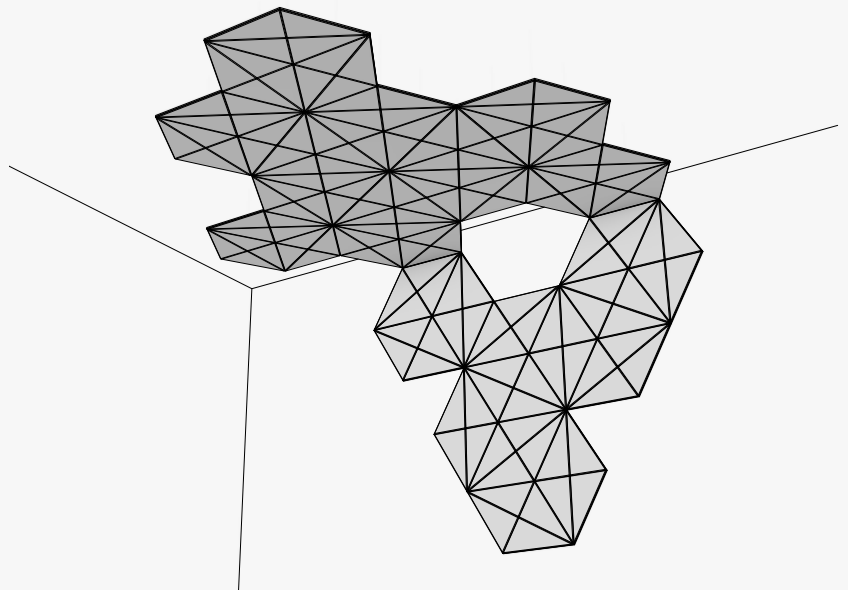


Diamond Hex Configuration



Multiple Modules

Versatile modules can be suspended from the ceiling or directly mounted on walls, creating a sprawling effect.



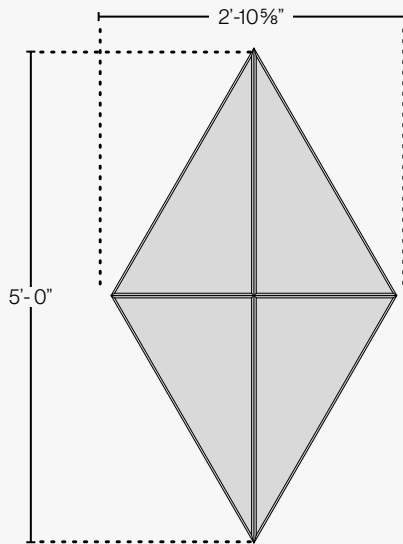
1 Understanding the System

Understanding the Module - Diamond - Stand-alone

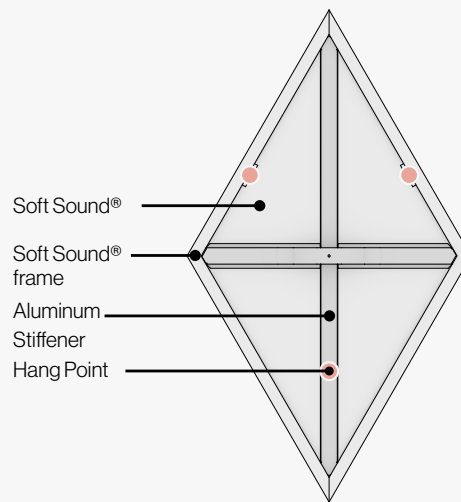
GeoSound® Diamond features an argyle like pattern on its bottom side, providing a striking visual design language.

Ceiling Plan

Bottom View

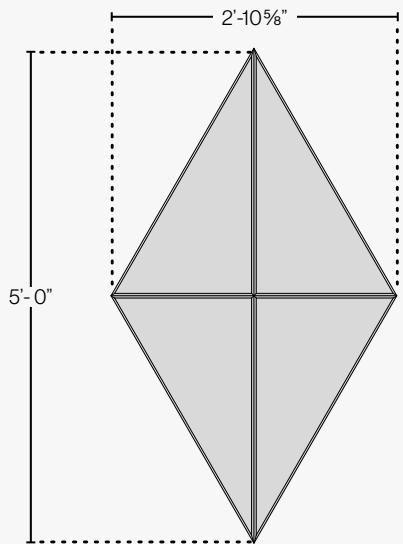


Top View

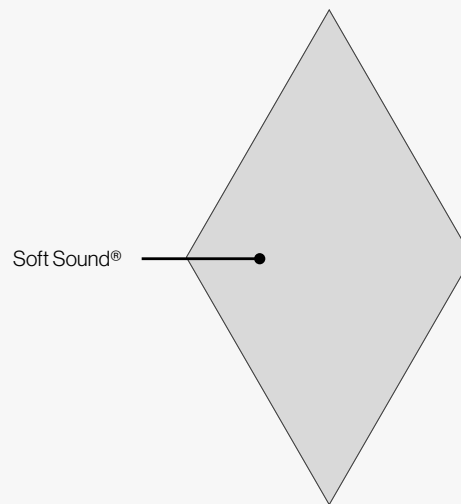


Wall Elevation

Front View



Back View



⚠ All dimensions nominal.

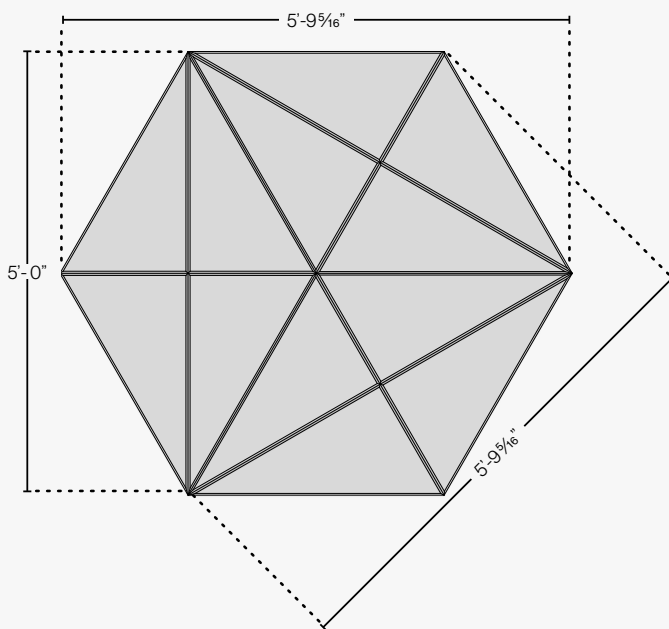
1 Understanding the System

Understanding the Module - Diamond - Hex Configuration

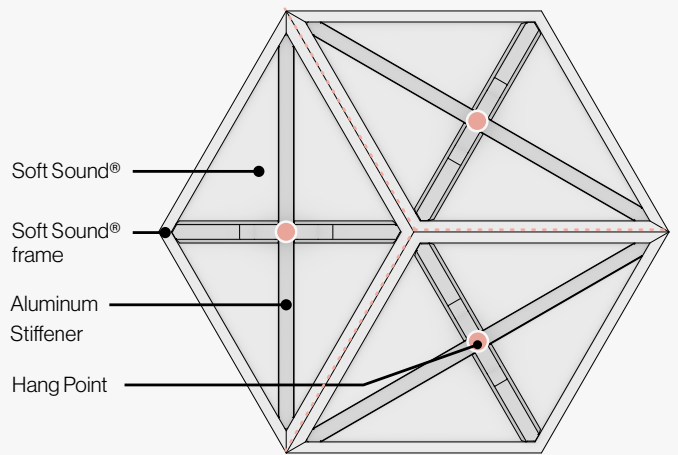
Ceiling Plan

Combine three GeoSound® Diamond modules to form a geometric hexagonal acoustic cluster. Use the pre-installed magnets to seamlessly connect the GeoSound® Diamond modules.

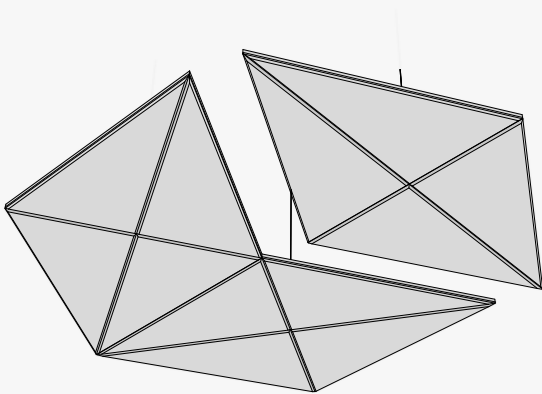
Bottom View



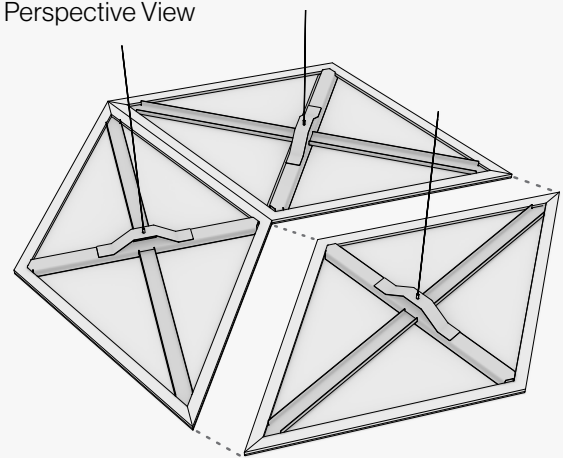
Top View



Bottom Perspective View



Top Perspective View



Minimum spacing required to avoid unintended magnetic connections.*

* For module spacing, refer to the installation manual.

⚠ All dimensions nominal.

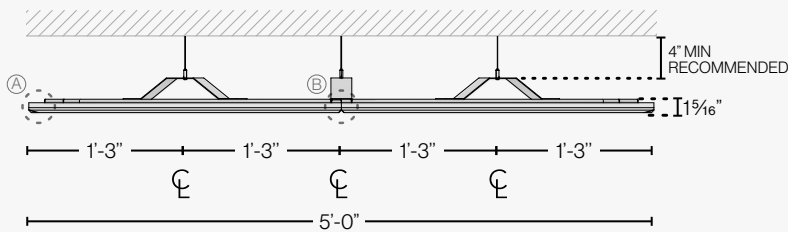
1 Understanding the System

Understanding the Module

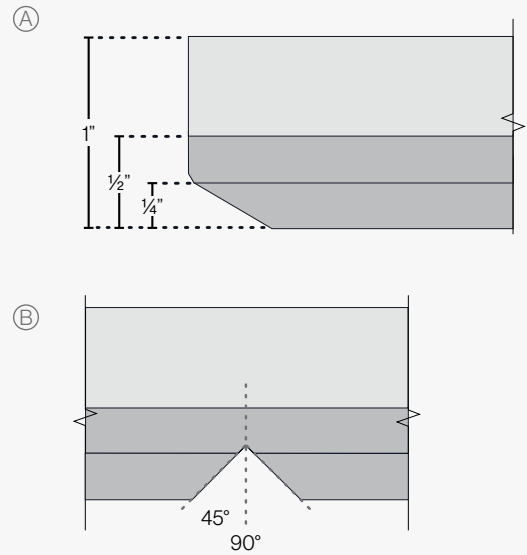
Ceiling Sections & Elevation

Elevation

GeoSound® Diamond modules are beveled at a 45° angle, creating a V-groove when modules are tiled together.



Section

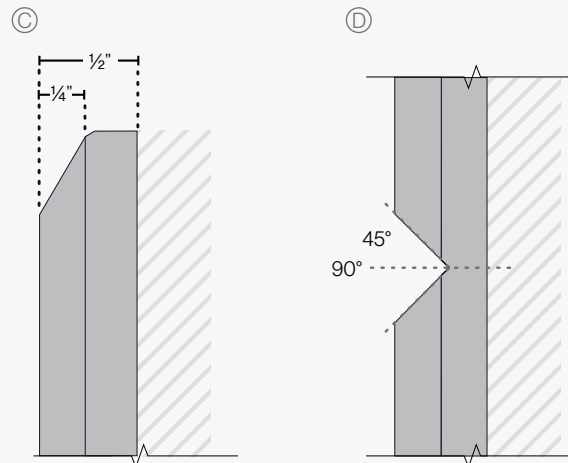


Wall Sections & Elevation

Elevation



Section

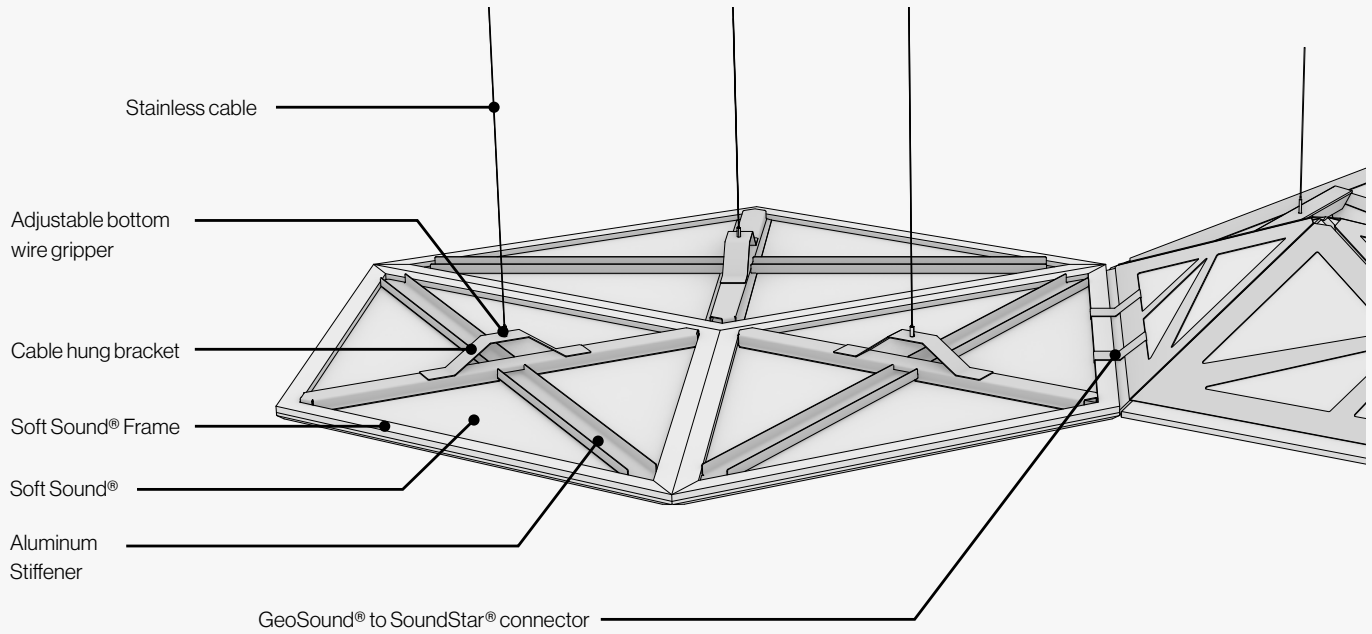


⚠ All dimensions nominal.

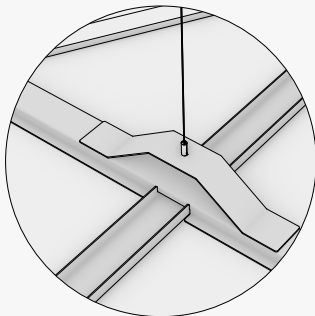
1 Understanding the System

Attachment Details - Ceiling

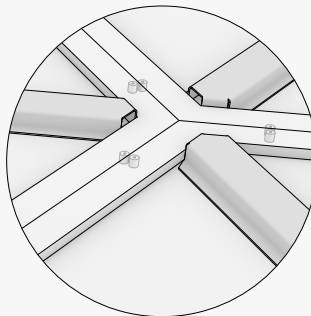
GeoSound® Diamond is designed for ease of install and assembly. Connect this module to other systems like SoundStar® using our dedicated connecting brackets.



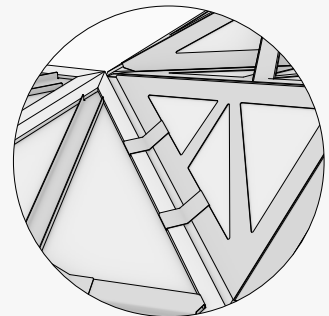
Hanging Bracket Attachment



Magnet connection



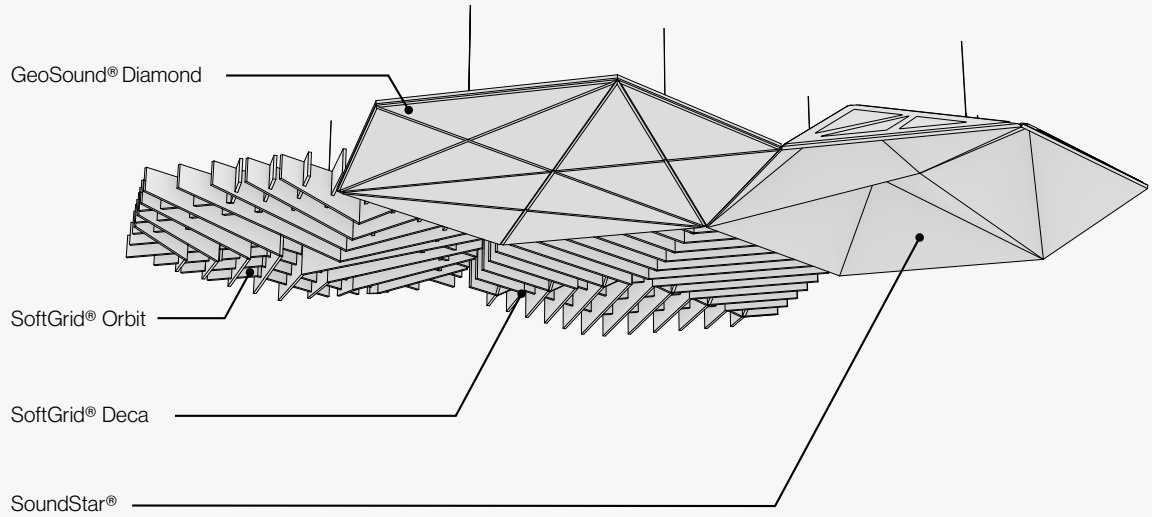
GeoSound® Diamond to SoundStar® Connector



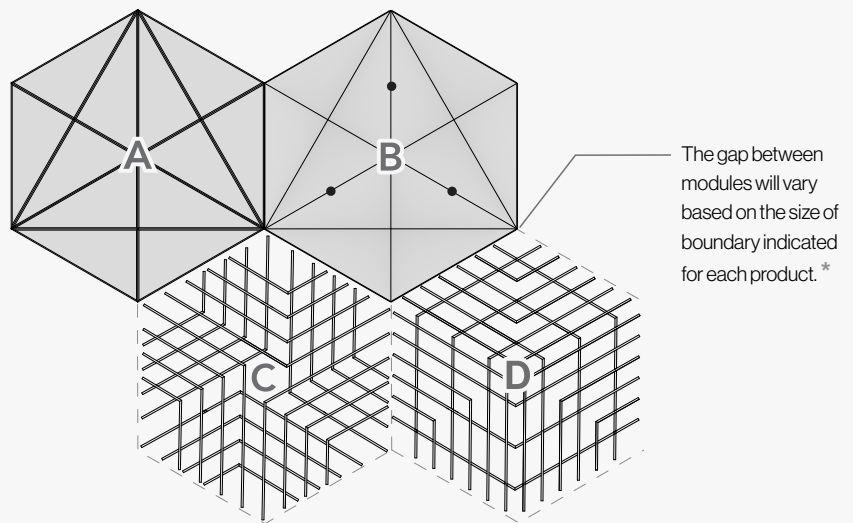
1 Understanding the System

Combining With Other Products

GeoSound® Diamond is compatible with SoftGrid® Deca, Flux*, Orbit, Rosette*, Forge and SoftShapes® Hex.



*Field trimming is required for SoftGrid® Flux and Rosette



- GeoSound® Diamond (A)
- SoundStar® (B)
- SoftGrid® Deca (C)
- SoftGrid® Orbit (D)

* To combine GeoSound® Diamond with other products please contact your Arktura Rep. to request Product Installation Manuals

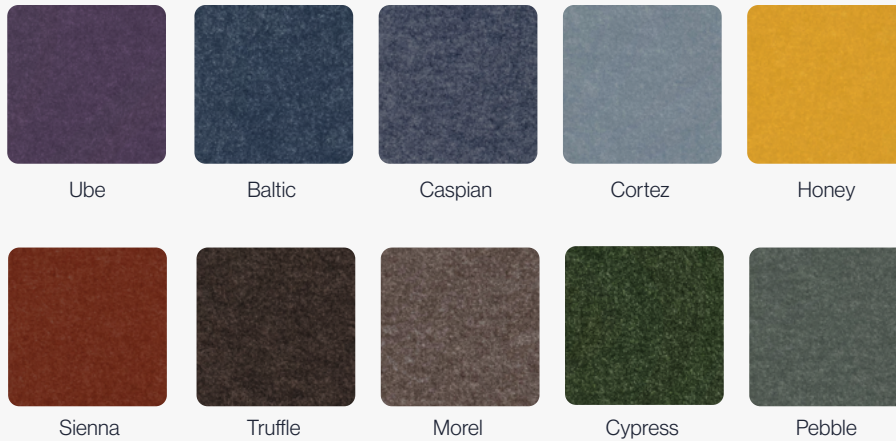
2 Available Finishes


Module Color

Soft Sound®
Vivids
Standard



Soft Sound®
Elementals
Standard




 Due to the nature of non-woven materials, light may pass through Soft Sound® in any thickness or color. A translucent appearance is most apparent in lighter colors and thin material when a light source is present behind the material. Arktura makes no claims or warranties about the material performing as opaque in any circumstance. To verify a products performance for light transmittance, a mockup of the specific intended use is recommended.

2 Available Finishes

Module Color

Soft Sound®
Essentials
Standard



 Due to the nature of non-woven materials, light may pass through Soft Sound® in any thickness or color. A translucent appearance is most apparent in lighter colors and thin material when a light source is present behind the material. Arktura makes no claims or warranties about the material performing as opaque in any circumstance. To verify a products performance for light transmittance, a mockup of the specific intended use is recommended.

3 Product Specifications & Certifications

System Specs

Module Dimension (WxL)	5' x 2'-10 ⁵ / ₈ "
Depth	1 ⁵ / ₁₆ " (Ceiling) - 1/2" (Wall)
Face Material	12mm Soft Sound® (PET)
Stiffener Material	Raw Aluminum
Fire Rating	ASTM E84 - Class A
Acoustics	True NRC® 0.95 Ceiling; E-300 Method True NRC® 0.45 Wall; A Method (no air gap) True NRC® 0.80 Wall; F-50 Method (2" air gap)
Attachment Method	1/8" Cable
Accessibility	Yes, quick release cables
Trimmability	Yes, in specific areas

This product may be the subject of one or more patents or pending patent applications.
See www.arktura.com/intellectualproperty for related patent information.